

# 2.00mm SOCKET STRIP

.079" [2.00mm] CENTERLINE

## SPECIFICATIONS

### Material:

**Insulator:** PBT, glass reinforced thermoplastic, rated UL 94V-0  
**Contacts:** Phosphor Bronze

### Plating:

**G** - 5 µin gold over 50 µin nickel underplate  
**S** - 5 µin gold on contact area and 100 µin tin-lead on solder-tails  
**T** - 100 µin tin-lead over 50 µin copper underplate

### Electrical:

**Operation voltage:** 250 VAC max  
**Current rating:** 1 Amp max  
**Contact resistance:** 15 mΩ max  
**Insulation resistance:** 1000 MΩ min @ 500 VDC between adjacent contacts (75°F and 50% R.H.)  
**Dielectric withstanding voltage:** 500 VDC min rms (sea level)

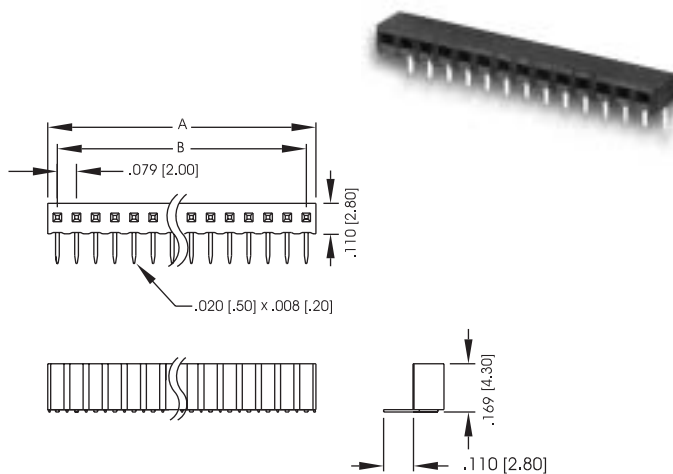


## ORDERING INFORMATION

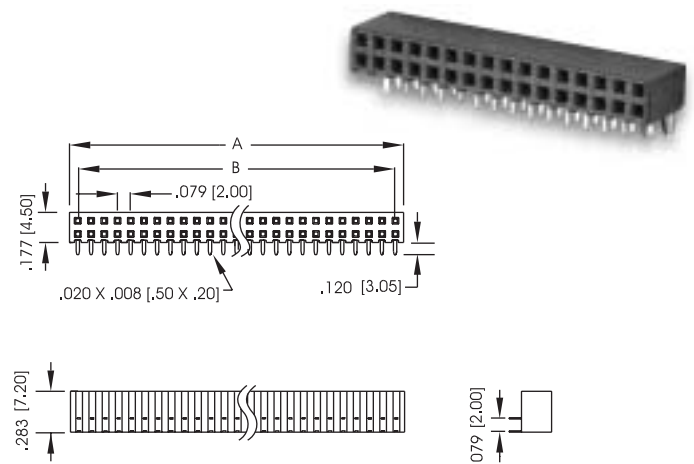
choose one from each category as shown in sample below

2S	A	20	S	
Series	Type	No. of Positions	Plating	Options
2S - 2.00mm Socket Strip	<b>A</b> - Single Row Vertical .177" Profile <b>B</b> - Dual Row Vertical .177" Profile <b>C</b> - Single Row Right Angle .110" Profile <b>D</b> - Dual Row Right Angle .177" Profile <b>E</b> - Dual Row Right Angle Box Strip .165" Profile <b>F</b> - Four Row Vertical .250" Profile	<b>Single Row</b> 02 - 40 <b>Dual Row</b> 04 - 80	<b>G</b> - Full Gold Plating <b>S</b> - Gold on Contact Area Tin-Lead on Solder Sails <b>T</b> - Tin Plated	<b>P</b> - Optional Guide Peg (Type A or B only) <b>SMT</b> - Surface Mount For Single Row Specify A or B Version <b>A</b> - Pin 1 Left (Single Row SMT only) <b>B</b> - Pin 1 Right (Single Row SMT only)

### TYPE C



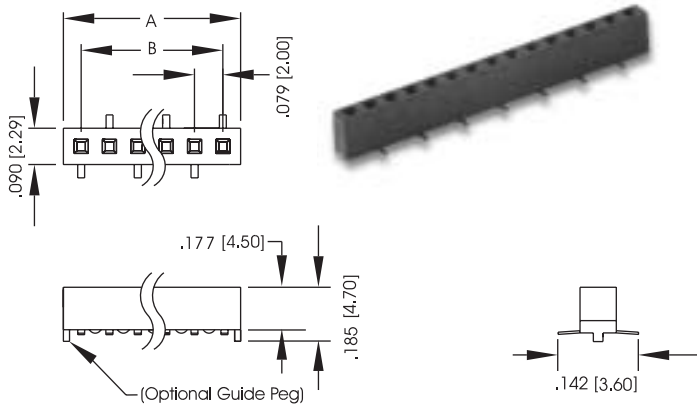
### TYPE D



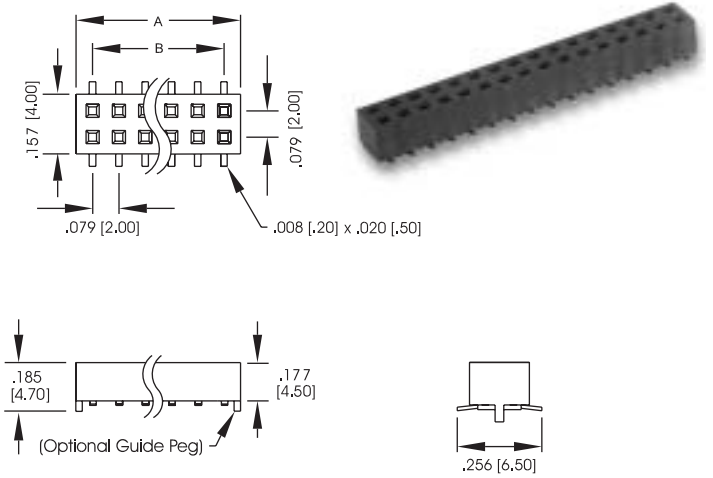
# 2.00mm SOCKET STRIP

.079" [2.00mm] CENTERLINE

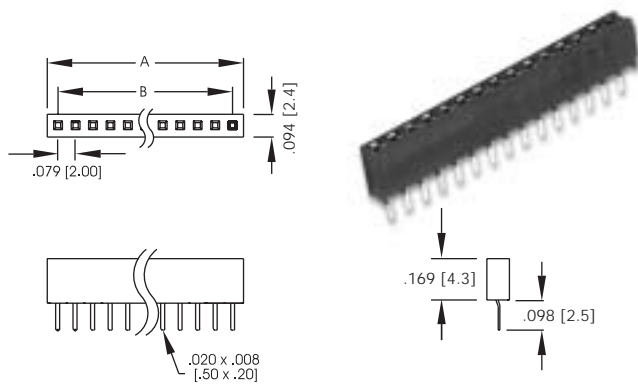
## TYPE A WITH SMT OPTION



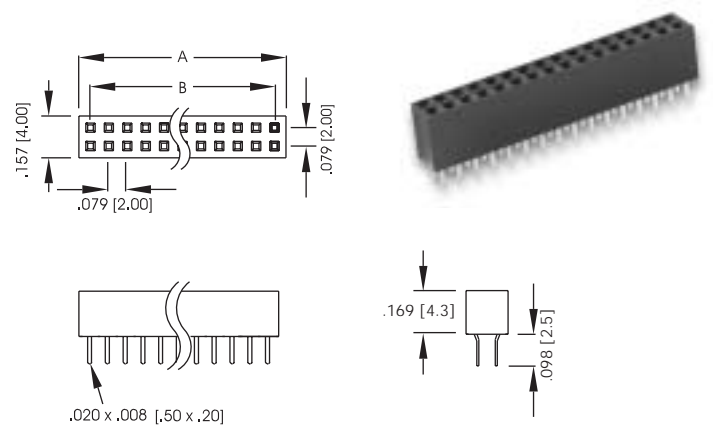
## TYPE B WITH SMT OPTION



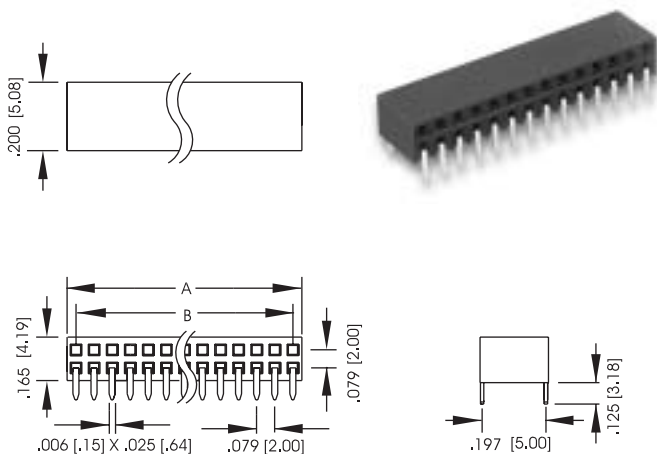
## TYPE A



## TYPE B



## TYPE E



## TYPE F

