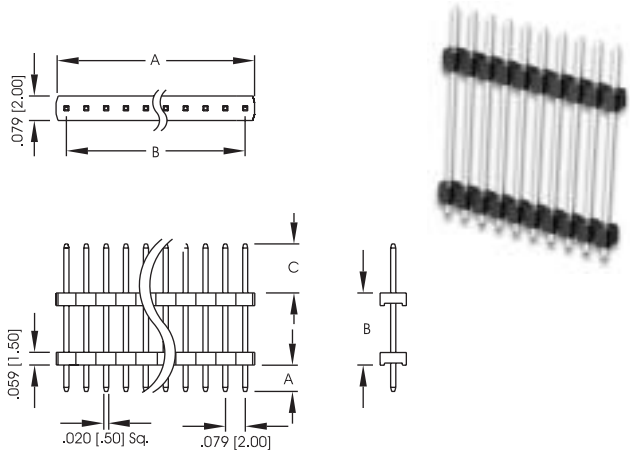


2.00mm PIN HEADER

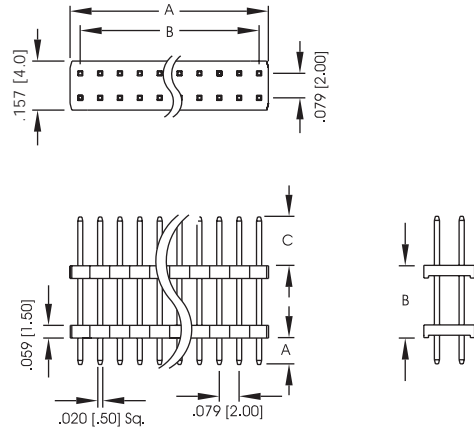
.079" [2.00mm] STACKING HEADER THROUGH HOLE / SMT



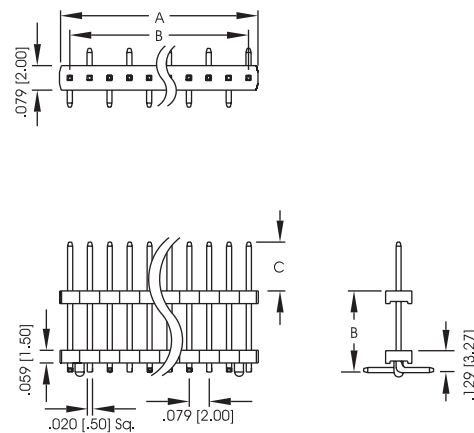
PSB-1 THROUGH HOLE



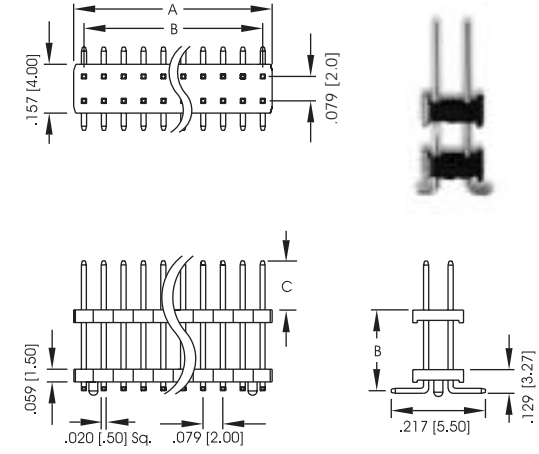
PSB-2 THROUGH HOLE



PSB-1 SMT



PSB-2 SMT



ORDERING INFORMATION

choose one from each category as shown in sample below

PSB-1	10	G	A / B / C	
Series	Total Positions	Plating	Dimensional	Options
PSB-1 2.0mm Stacking Pin Header Single Row	Single Row - 01 - 40 Dual Row - 02 - 80	G - Full gold plating S - Selective gold plating T - Full tin plating	A - Tail length in inches or SMT B - Stacking distance in inches C - Post above insulator in inches	H - Hi-Temp insulator
PSB-2 2.0mm Stacking Pin Header Dual Row				