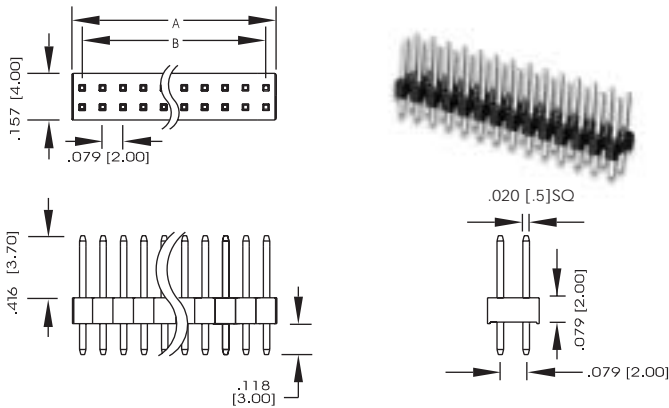


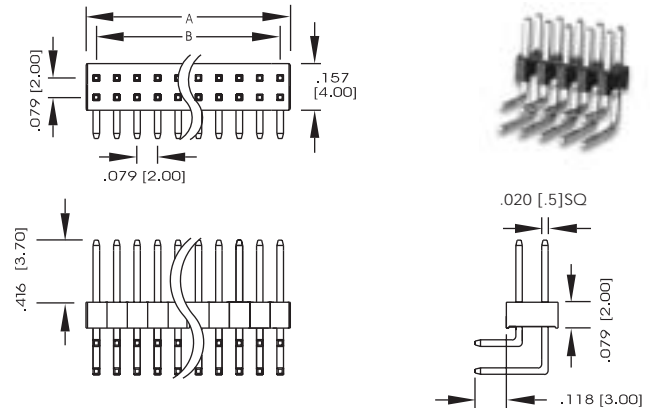
2.00mm PIN HEADER

.079" [2.00mm] UNSHROUDED / SHROUDED / MINI SHUNTS

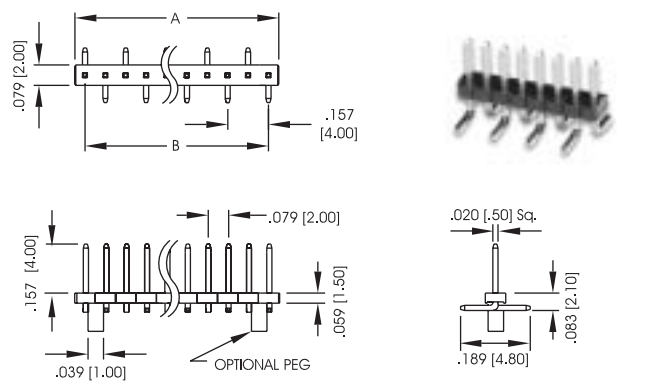
PHJ-2 THROUGH HOLE



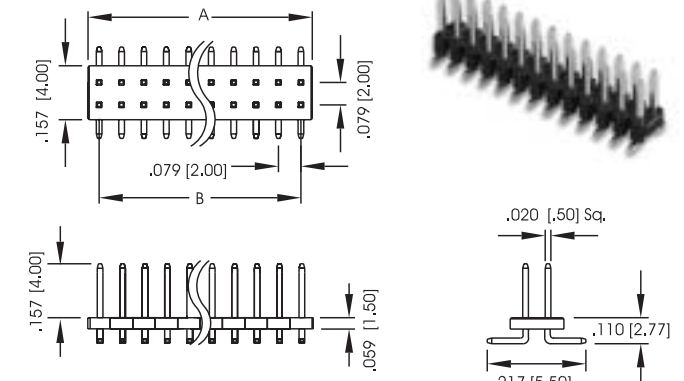
PHL-2 THROUGH HOLE



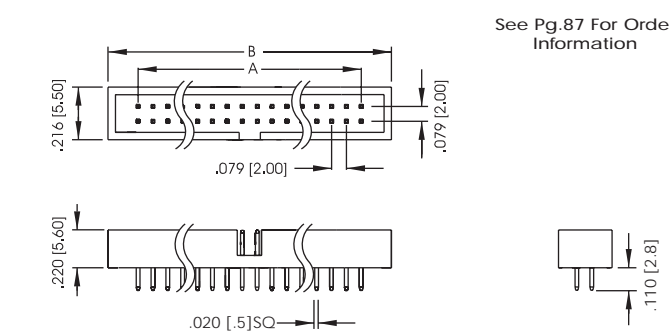
PHJ-1 SMT



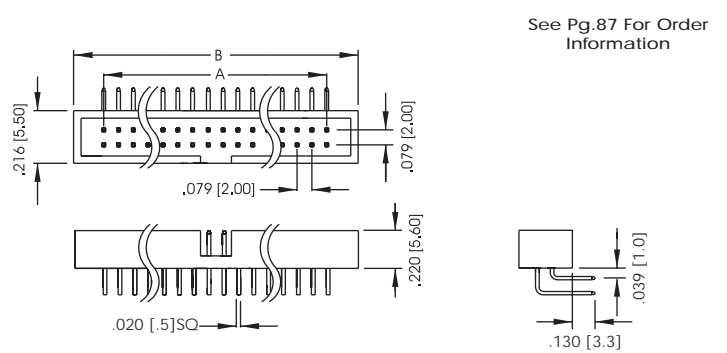
PHJ-2 SMT



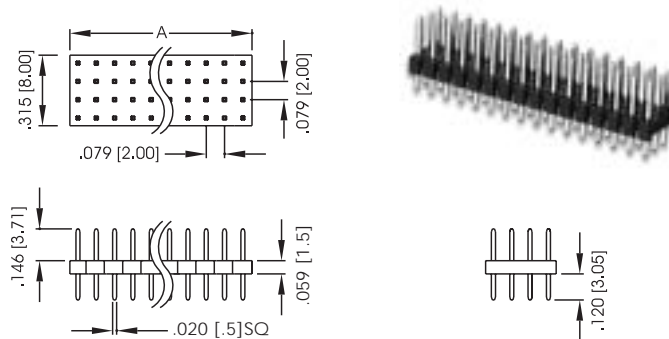
PSS STRAIGHT



PSR RIGHT ANGLE



PHJ-4 STRAIGHT



MINI SHUNTS

