

.050" HEADER / SOCKET SET

.050" [1.27] CENTERLINE

SPECIFICATIONS

Material:

Insulator: Nylon 6/6 T, glass reinforced thermoplastic, rated UL 94V-0
Contacts: Phosphor Bronze

Plating:

G - 5 µin gold over 50 µin nickel underplate
S - 5 µin gold on contact area and 100 µin tin-lead on solder-tails
T - 100 µin tin-lead over 50 µin copper underplate

Electrical:

Operation voltage: 250 VAC max
Current rating: 0.5 Amp max
Contact resistance: 20 mΩ max
Insulation resistance: 1000 MΩ min @ 500 VDC between adjacent contacts (75°F and 50% R.H.)
Dielectric withstanding voltage: 500 VDC min rms (sea level)

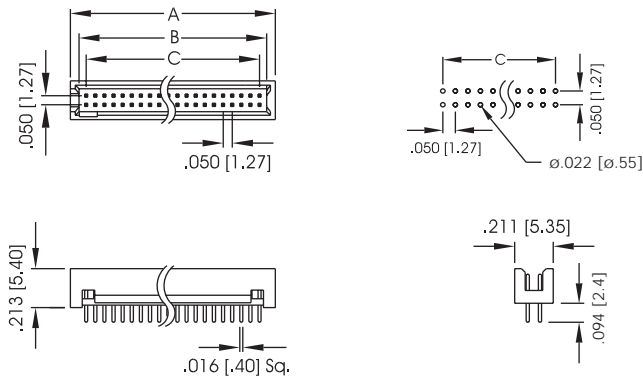


ORDERING INFORMATION

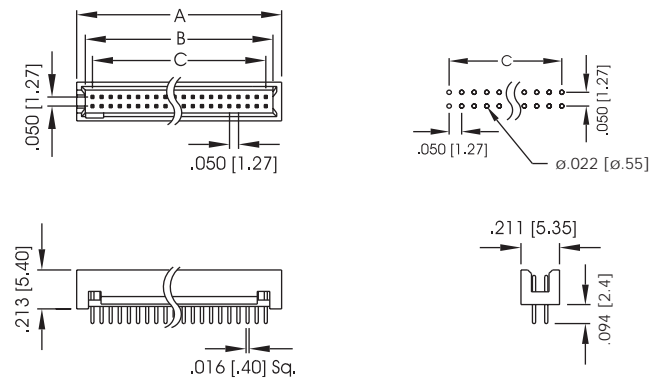
choose one from each category as shown in sample below

PHD	A	20	S	
Series	Type	Positions	Plating	Options
PHD - .050" Polarized Shrouded Header PHS - .050" Polarized Socket	A - Thru hole leads B - Surface mount leads	04-100	G - Full Gold Plating S - Gold on Contact Area Tin-Lead on Solder Sails T - Full Tin Plated	P - Polarizer Bump

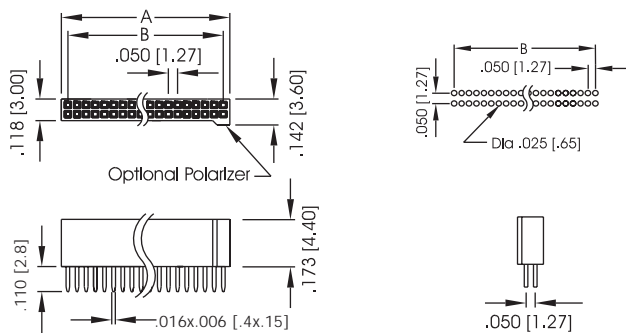
PHD - THROUGH HOLE



PHD - SMT



PHS - THROUGH HOLE



PHS - SMT

