

.050" PIN HEADER

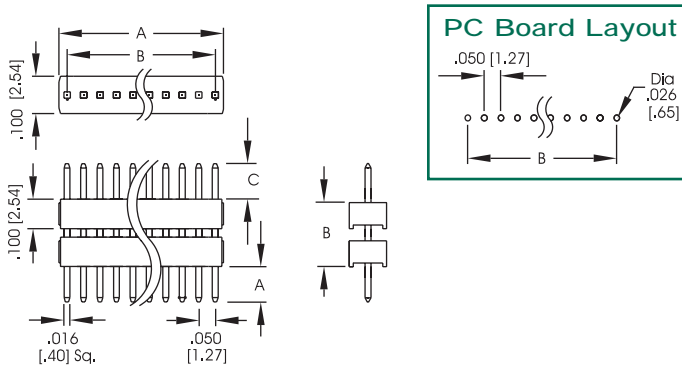
.050" [1.27] CENTERLINE STACKING / SHROUDED HEADER

ORDERING INFORMATION

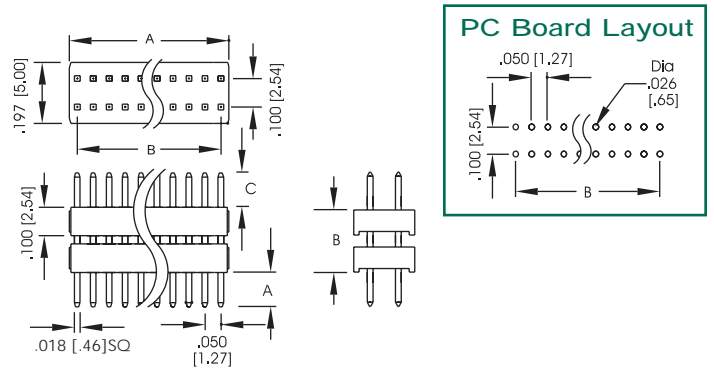
choose one from each category as shown in sample below

| PSA | 1 | 50 | G | A / B / C |
|---|--------------------------------|---|---|---|
| Series | No. Of Rows | Total Positions | Plating | Dimensions |
| PSA - .050"x.100" Pin Header for Board Stacking | 1 - Single Row 2 - Dual Row | Single Row - 01 - 32 Dual Row - 04 - 100 | G - Full Gold S - Gold on contact area tin-lead on solder tails T - Tin Plated | A - Tail length in inches or SMT B - Stacking distance in inches C - Post above insulator in inches |

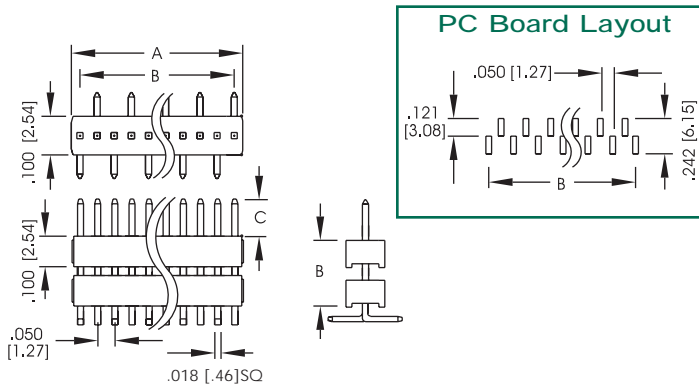
PSA - 1 THROUGH HOLE



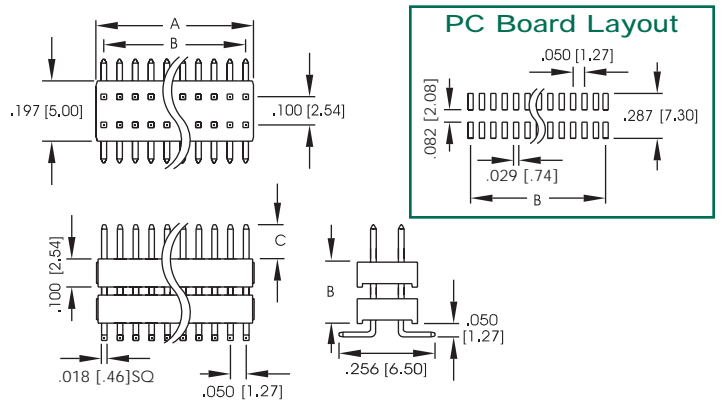
PSA - 2 THROUGH HOLE



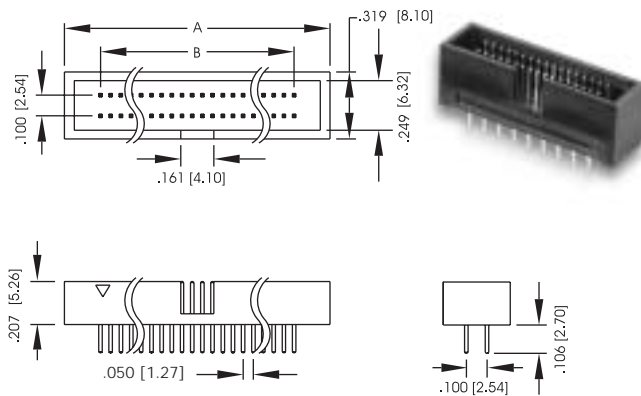
PSA - 1 SMT



PSA - 2 SMT

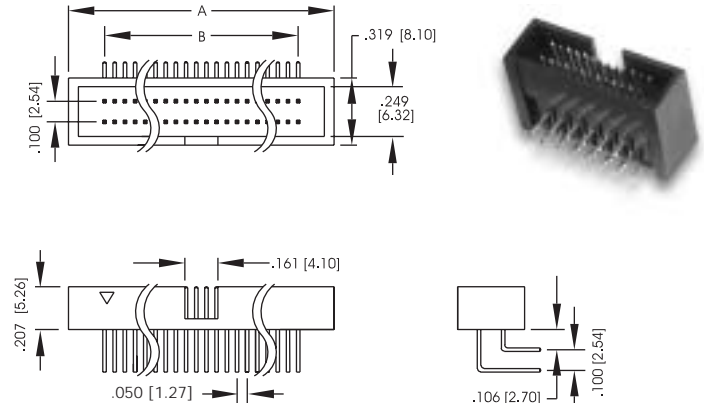


BHS STRAIGHT BOX HEADER



See Pg.82 For Order Information

BHL RIGHT ANGLE BOX HEADER



See Pg.82 For Order Information