

MINI DIN & DIN JACK

PC BOARD MOUNT



SPECIFICATIONS

Material:

- Metal shell:** Steel, nickel-plated
- Inner shield:** Phosphor Bronze, nickel-plated
- Insulator:** PBT glass reinforced thermoplastic, rated UL 94V-0
- Contacts:** Phosphor bronze
- Outer Shield:** Phosphor bronze, nickel-plated

Plating:

5 µin gold on contact area and 100 µin tin-lead on solder-tails

ORDERING INFORMATION

choose one from each category as shown in sample below

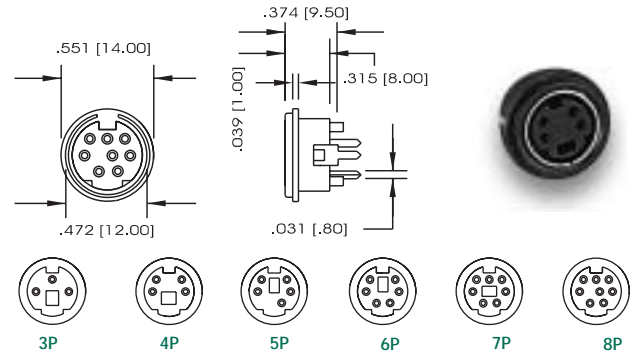
MDR	8	S	Options
Series	Positions	Shielding	(add as suffix to part number)
MDR-R/A Mini DIN	03 thru 09	0 - No shield S - Four sided shield FS - Five sided shield	PG1 - Spring Clip Ground PG2 - Four Finger Ground K - Kinked Shield Pegs E - EMI Filter
MDD-Double Mini DIN			
MDS-Slimline Mini DIN			
MJV-Straight Mini DIN			
DJR-R/A DIN Jack 5mm			
DJT-R/A DIN Jack 10mm			
DJS-R/A DIN Jack SMT			
DJB-Barrel DIN Jack			
DJF-Barrel DIN with Flange			

Electrical:

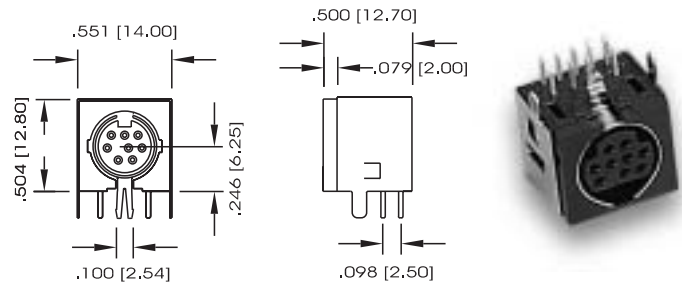
- Operation voltage:** 30 VDC max
- Current rating:** 1 Amp max
- Contact resistance:** 20 mΩ max
- Insulation resistance:** 500 MΩ min @ 500 VDC between adjacent contacts (75°F and 50% R.H.)
- Dielectric withstanding voltage:** 500 VAC min rms (sea level)



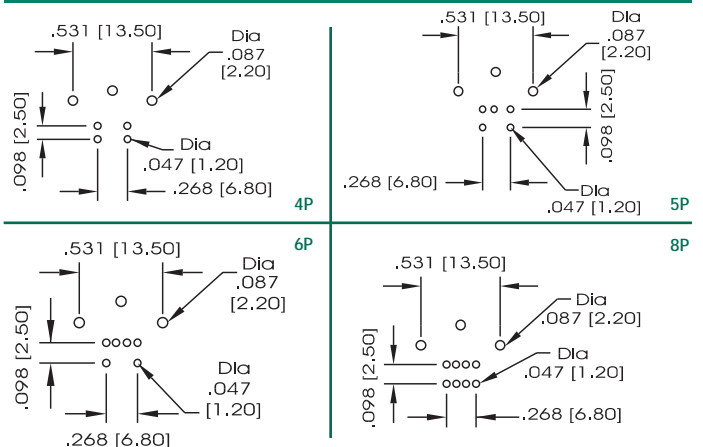
MJV SERIES STRAIGHT PCB MOUNT



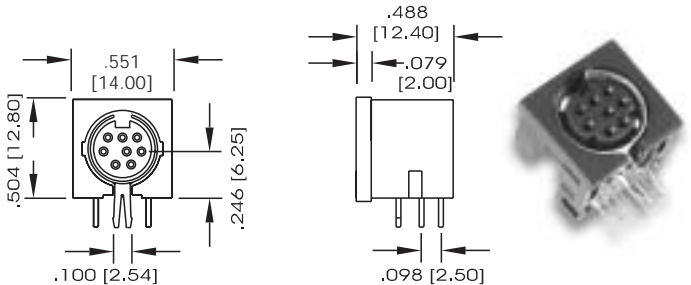
MDR SERIES RIGHT ANGLE FOUR SIDED SHIELD



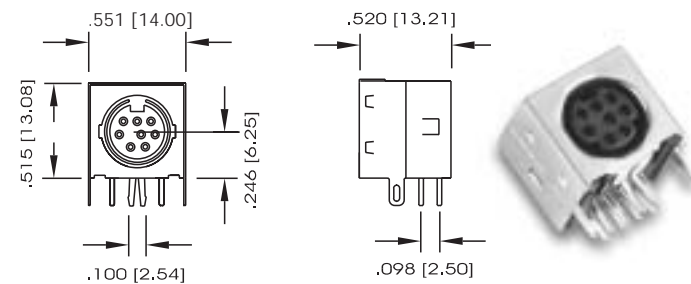
PC BOARD LAYOUT



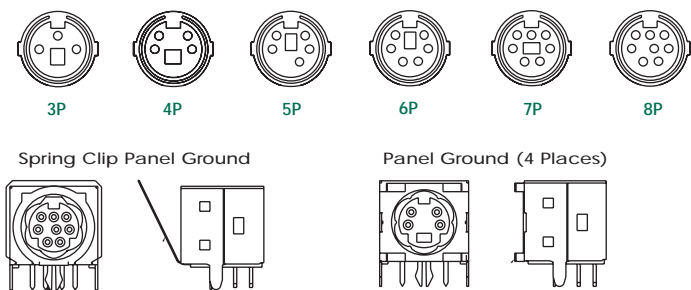
MDR SERIES RIGHT ANGLE WITHOUT SHIELD



MDR SERIES R/A FIVE SIDED SHIELD



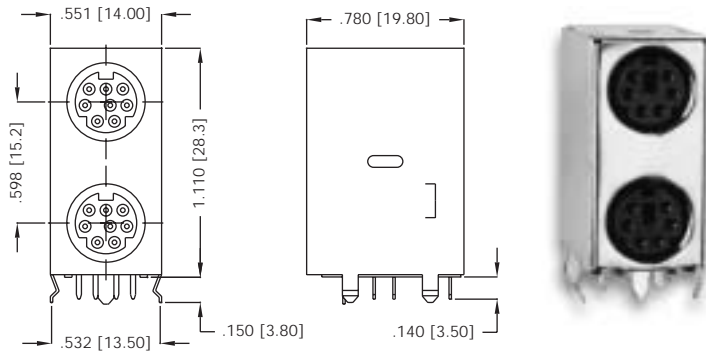
PIN CONFIGURATIONS



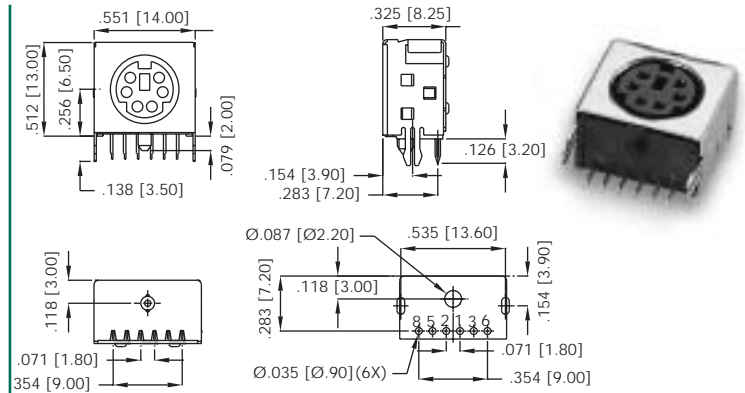
MINI DIN & DIN JACK

PC BOARD MOUNT

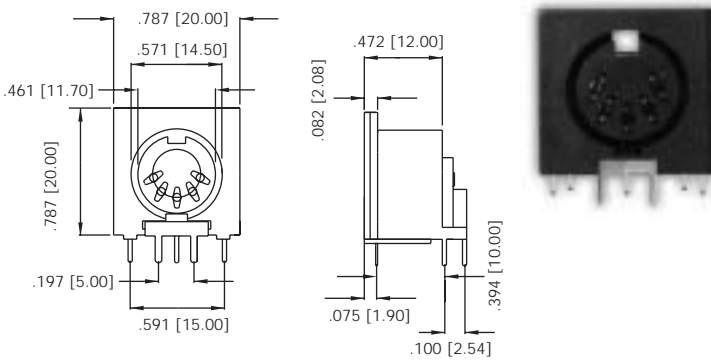
MDD DUAL MINI DIN JACK



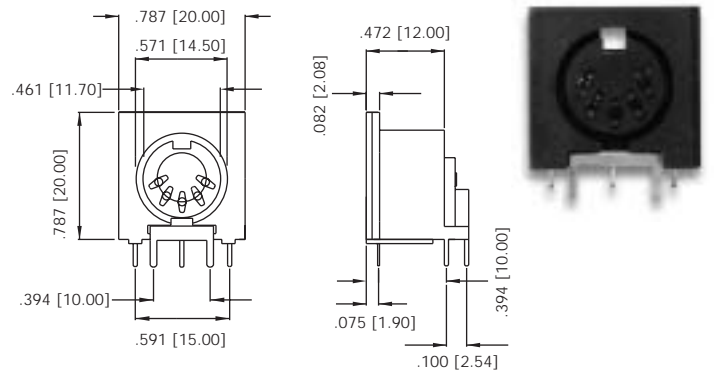
MDS SLIMLINE MINI DIN JACK



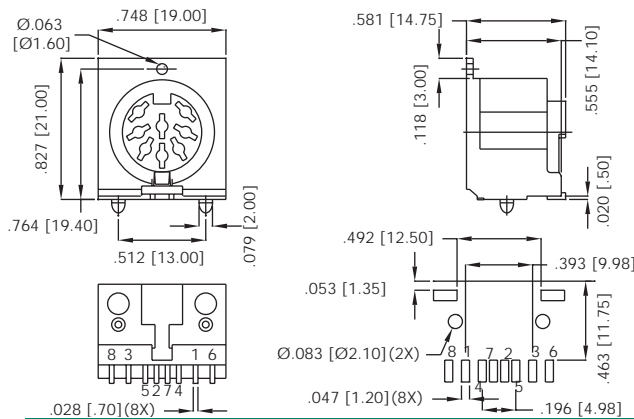
DJR RIGHT ANGLE DIN JACK 5mm



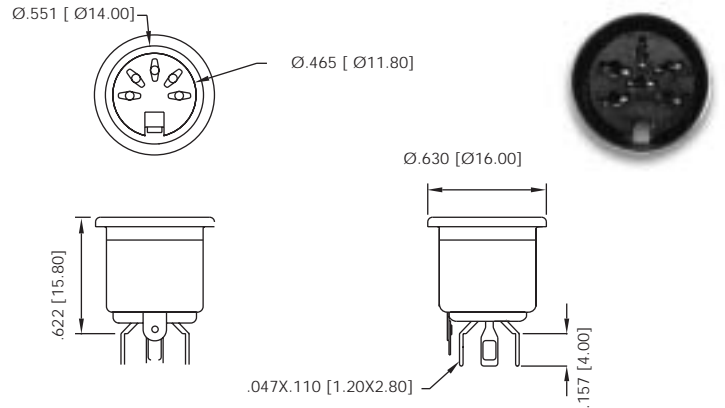
DJT RIGHT ANGLE DIN JACK 10mm



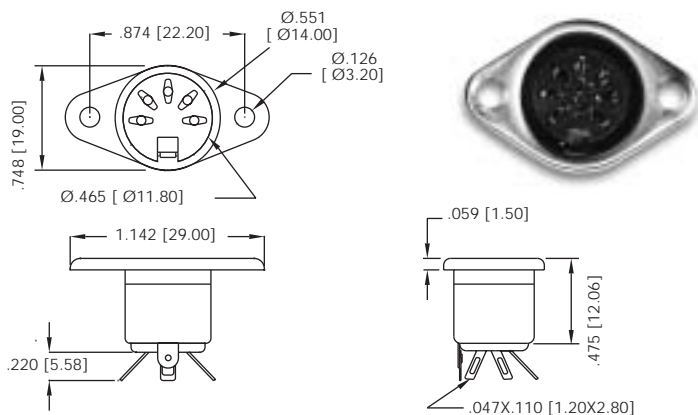
DJS SMT RIGHT ANGLE DIN JACK 10mm



DJB BARREL DIN JACK



DJF BARREL DIN JACK WITH FLANGE



PJ SERIES POWER JACK

