

DC POWER JACK

PC BOARD & PANEL MOUNT



SPECIFICATIONS

Material:

Insulator: PBT Glass Reinforced Thermoplastic rated UL 94V-0
Insulator color: Black
Contacts: Phosphor Bronze

Plating:

Center Pin: 100 µin Nickel plate with 50 µin Copper underplate
Contacts: 100 µin bright Silver plate

Electrical:

Operation voltage: 250 VAC max
Current rating: 1 Amp max
Contact resistance: 20 mΩmin
Insulation resistance: 5000 MΩmin @ 1000 VDC between adjacent contacts (75°F and 505 R.F.)
Dielectric withstanding voltage: 1000 VAC min rms (sea level)
Capacitance: 1.5 pF max between adjacent contacts



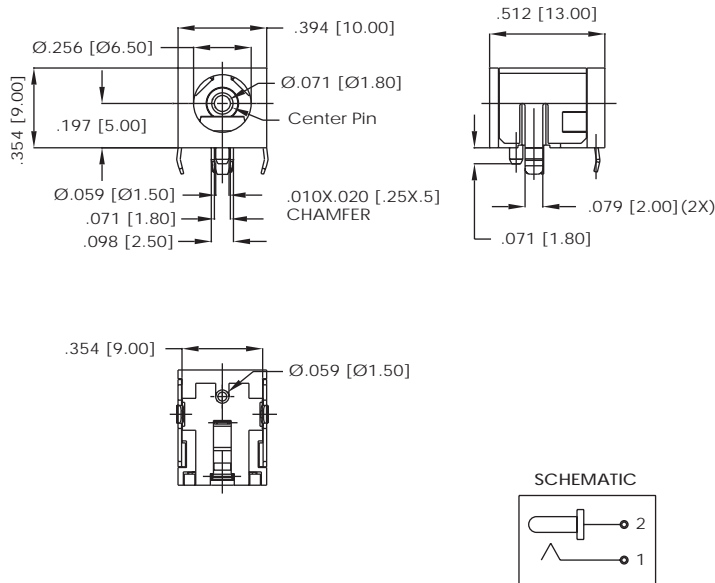
ORDERING INFORMATION

choose one from each category as shown in sample below

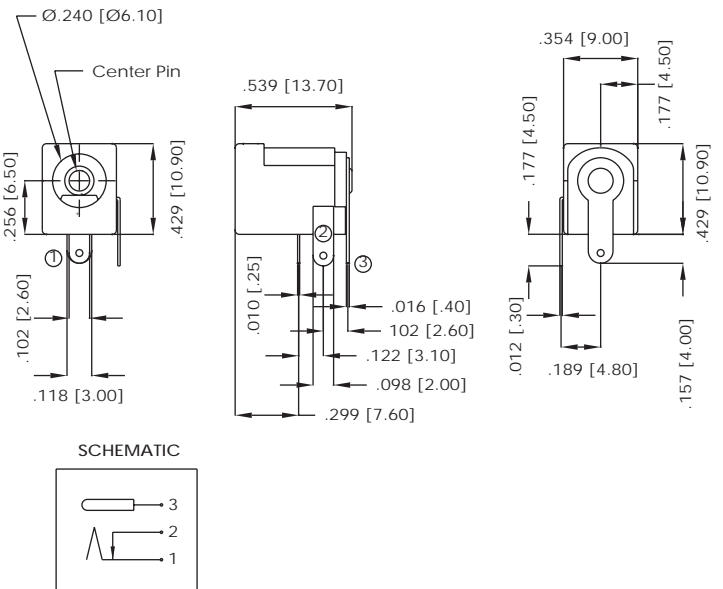
PJ	A	S	
Series	Jack Type	Center Pin Diameter	Options (add as suffix to part number)
PJ - DC Power Jack	A thru H	1 - 1.00mm 2 - 1.30mm 3 - 2.00mm 4 - 2.35mm 5 - 2.50mm	H - High Temp P - Alignment Peg(s)



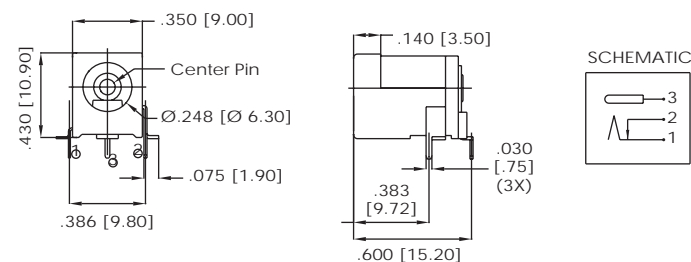
TYPE A



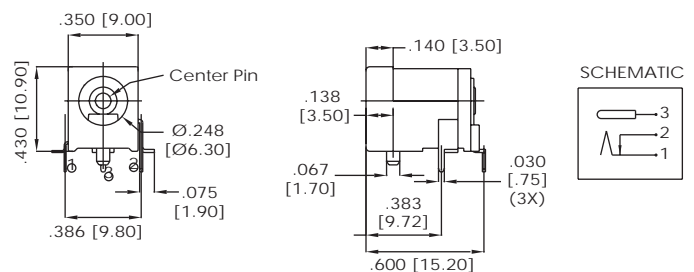
TYPE B



TYPE C



TYPE D SMT JACK

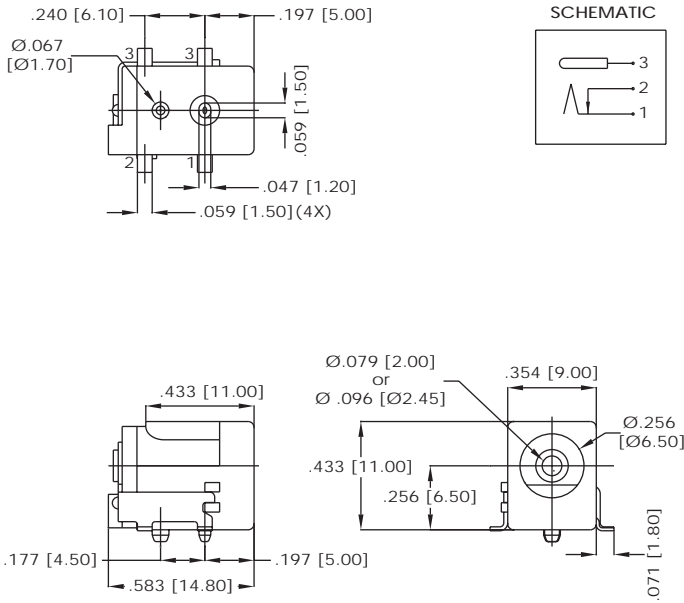


DC POWER JACK

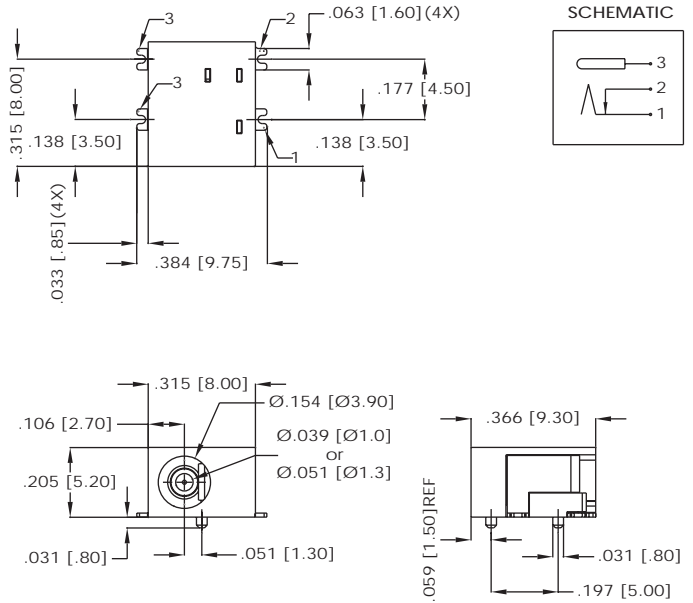
PC BOARD & PANEL MOUNT



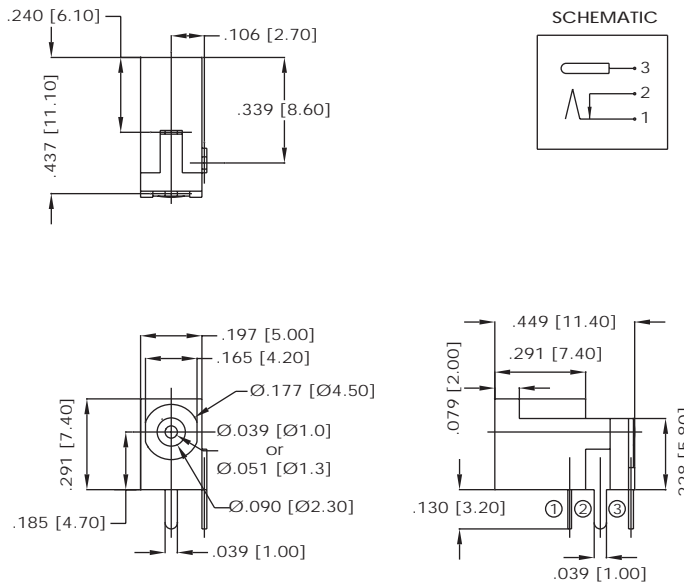
TYPE E



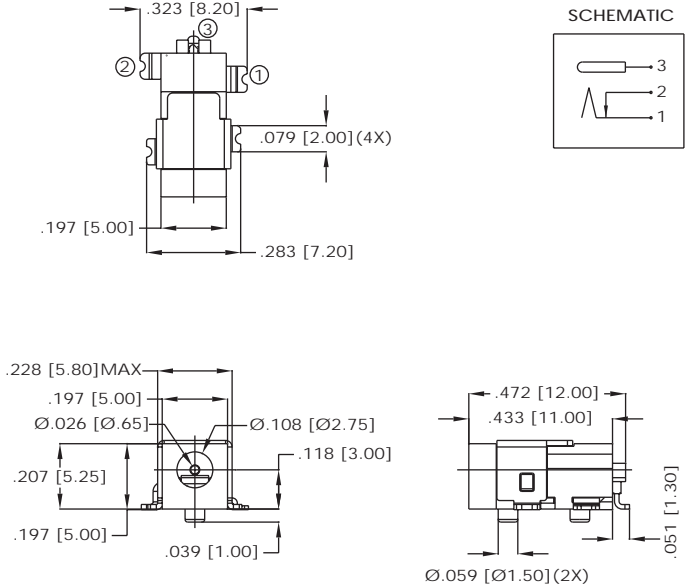
TYPE F



TYPE G



TYPE H SMT JACK



MECHANICAL DIAGRAM AND RECOMMENDED PLUG SIZES

