

IC SOCKETS

DUAL INLINE - SINGLE INLINE

SPECIFICATIONS

Material:

Insulator: PBT glass reinforced, thermoplastic, rated UL 94V-0
Contacts: Phosphor Bronze

Plating:

100 μ m bright tin-lead plate to over
 50 μ m copper underplate

ORDERING INFORMATION

choose one from each category as shown in sample below

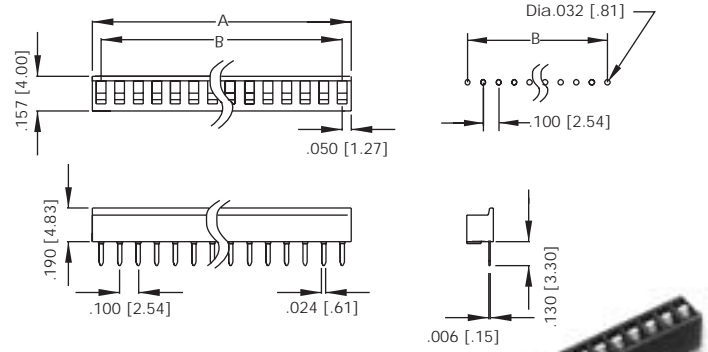
IC	6	28
Series	Row Spacing	Positions
IC - Dual Inline Socket	IC Series only. Leave this column blank for SI Series	*06 Thru 48 *Depending on series
SI - Single Inline Socket	3 - .300" row spacing Positions: 06, 08, 14, 16, 18, 20, 24, 28 6 - .600" row spacing Positions: 20, 24, 28, 32, 40, 48	

Electrical:

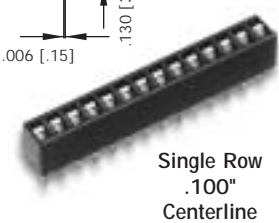
Operation voltage: 250 VAC max
Current rating: 1 Amp max
Contact resistance: 20 m Ω max



SI SERIES SINGLE INLINE SOCKET

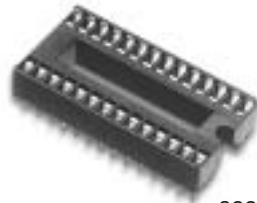
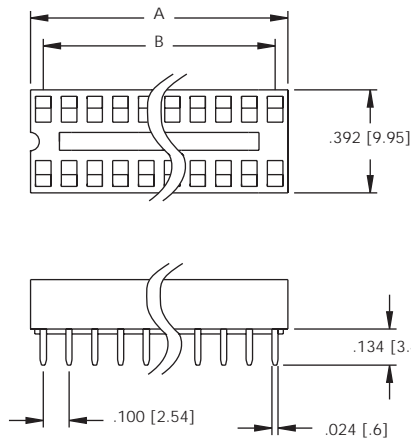


A = .100" [2.54] x No. of Positions
 B = .100" [2.54] x No. of Spaces

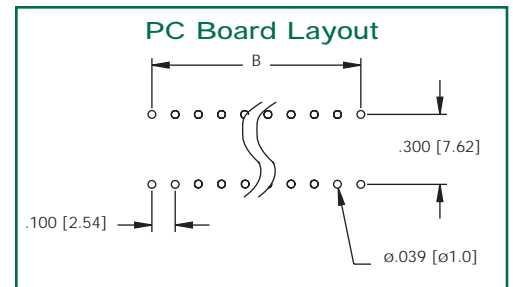
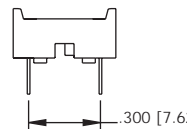


Single Row
 .100"
 Centerline

IC SERIES .300" SOCKET

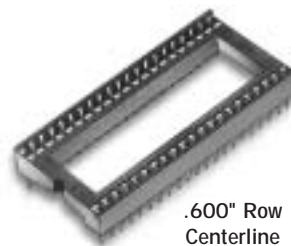
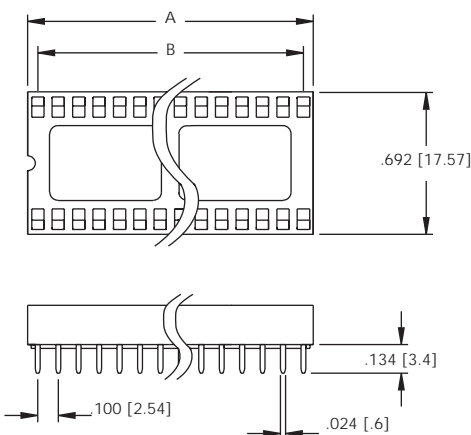


.300" Row
 Centerline

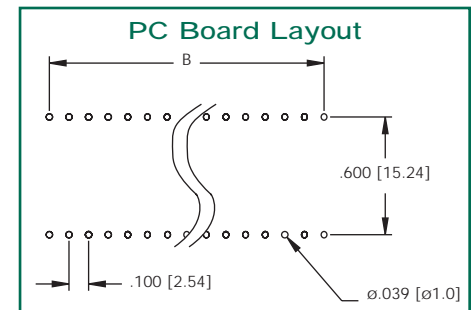
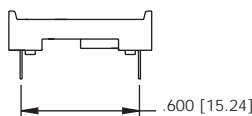


A = .100 x No. of Positions Per Row

IC SERIES .600" SOCKET



.600" Row
 Centerline



A = .100 x No. of Positions Per Row