

# FLAT CABLE IDC PLUGS

FLAT CABLE TRANSITIONS & DIP PLUGS



## SPECIFICATIONS

### Material:

**Insulator:** PBT Glass Reinforced Thermoplastic rated UL 94V-0  
**Insulator color:** Black  
**Contacts:** Phosphor Bronze

### Plating:

100  $\mu$ m bright tin-lead plate over 50  $\mu$ m copper underplate or 5  $\mu$ m selective gold plating

## ORDERING INFORMATION

choose one from each category as shown in sample below

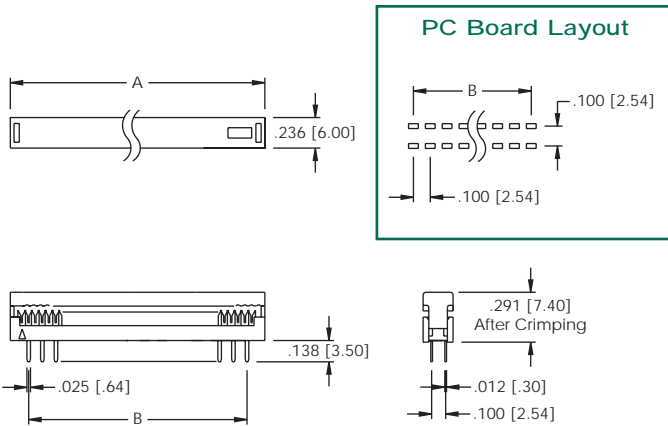
FCG	20	T
Series	Positions	Plating
FCG - .100" Dual Row IDC Flat Cable Plug	8, 10, 12, 14, 16, 20, 24, 26, 30, 34, 40, 44, 50, 56, 60, 62, 64	T - Tin-plated G - Gold-plated
FCW - .300" Dual Row IDC Flat Cable Plug		
FCR - .600" Dual Row IDC Flat Cable Plug		
FCP - .050" Paddle Board		

### Electrical:

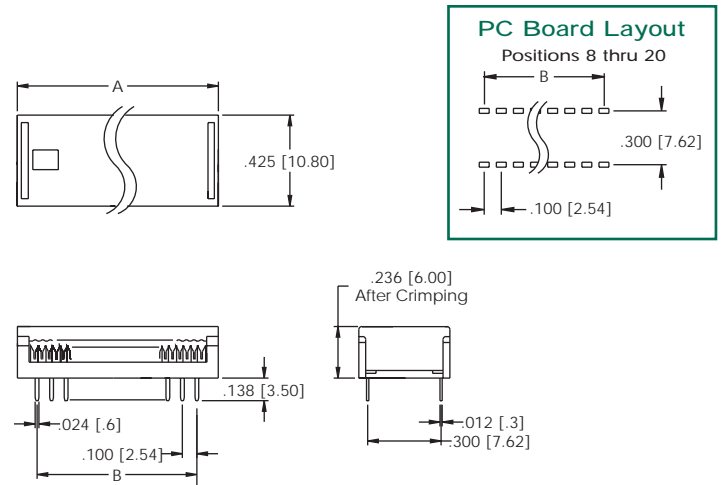
**Operation voltage:** 250 VAC max  
**Current rating:** 1 Amp max  
**Contact resistance:** 20 m $\Omega$  max  
**Insulation resistance:** 1000 M $\Omega$  min @ 600 VDC between adjacent contacts (75°F and 50% R.H.)  
**Dielectric withstanding voltage:** 600 VDC min rms (sea level)  
**Capacitance:** 1.0 pF max between adjacent contacts



### FCG .100" DUAL ROW

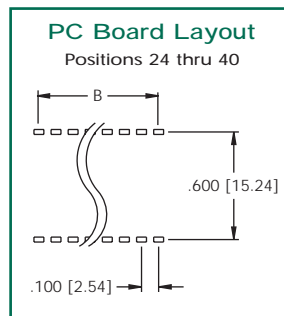
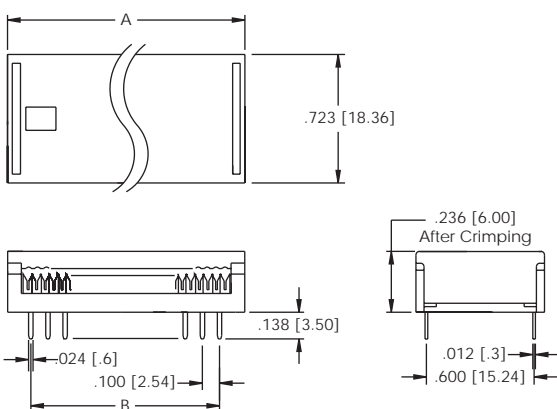


### FCW .300" DUAL ROW



FCG Series	8	10	14	16	20	24	26	28	30	34	40	50	60	64
A	.565 (14.35)	.665 (16.89)	.865 (21.97)	.965 (24.51)	1.165 (29.59)	1.365 (34.67)	1.465 (37.21)	1.565 (39.75)	1.665 (42.29)	1.865 (47.37)	2.165 (54.99)	2.665 (67.69)	3.165 (80.39)	3.365 (85.47)
B	.300 (7.62)	.400 (10.16)	.600 (15.24)	.700 (17.78)	.900 (22.86)	1.100 (27.94)	1.200 (30.48)	1.300 (33.02)	1.400 (35.56)	1.600 (40.64)	1.900 (48.26)	2.400 (60.96)	2.900 (73.66)	3.100 (78.74)

### FCR .600" DUAL ROW



### FCW & FCR SERIES

Pos.	A	B
8	.565 (14.35)	.300 ( 7.62)
10	.665 (16.89)	.400 (10.16)
14	.865 (21.97)	.600 (15.24)
16	.965 (24.51)	.700 (17.78)
18	1.065 (27.05)	.800 (20.32)
20	1.165 (29.59)	.900 (22.86)
24	1.365 (34.67)	1.100 (27.94)
28	1.565 (39.75)	1.300 (33.02)
32	1.765 (44.83)	1.500 (38.10)
40	2.165 (54.99)	1.900 (48.26)