

# .050" & 2.00mm IDC SOCKETS



.050" [1.27] / .079" [2.00] CENTERLINE FLAT CABLE SOCKET

## SPECIFICATIONS

### Material:

**Insulator:** PBT Glass Reinforced Thermoplastic rated UL 94V-0  
**Insulator color:** Black  
**Contacts:** Phosphor Bronze

### Plating:

5 µin gold on contact area over 50 µin nickel underplate Tin lead on termination area

### Electrical:

**Operation voltage:** 250 VAC max  
**Current rating:** 1 Amp max  
**Contact resistance:** 20 mΩ max  
**Insulation resistance:** 1000 MΩ min @ 600 VDC between adjacent contacts (75°F and 50% R.H.)  
**Dielectric withstanding voltage:** 600 VDC min rms (sea level)  
**Capacitance:** 1.0 pF max between adjacent contacts

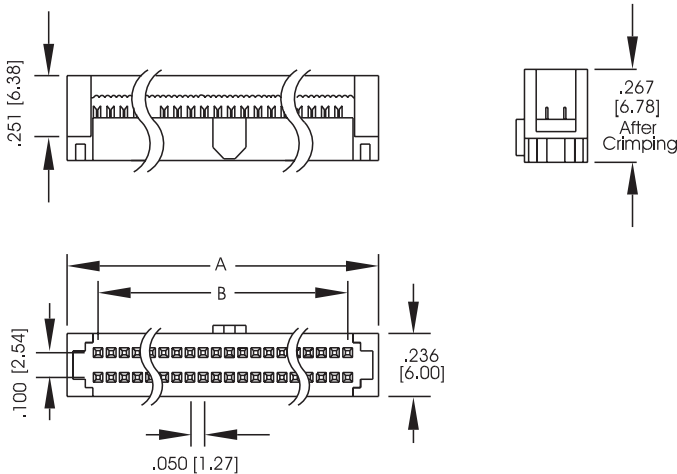


## ORDERING INFORMATION

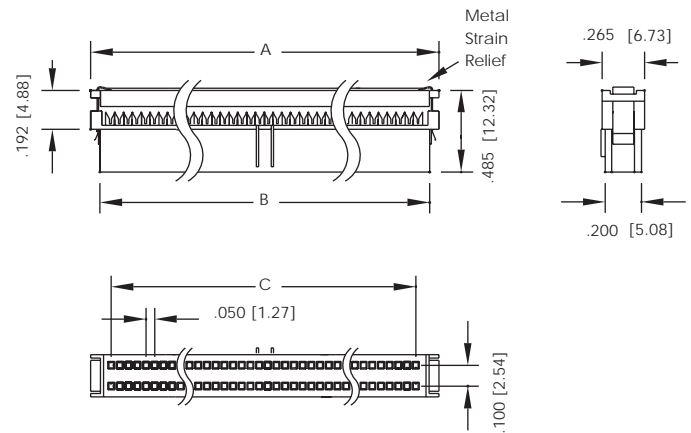
choose one from each category as shown in sample below

| FCC Series  | 50 Positions        |
|---|---------------------|
| FCC - .050" Low Profile Dual Row Flat Cable Socket      | 10, 20, 30, 40, 50, |
| FCB - .050" Standard Profile Dual Row Flat Cable Socket | 60, 68, 70, 72, 80  |
| FCF - 2.00mm Dual Row Flat Cable Socket                 |                     |

### FCC SERIES



### FCB SERIES



### FCF SERIES

