

CENTRONIC CONNECTOR

.050" [1.27] PCB MOUNT / FLAT CABLE / SOLDER TERMINAL



SPECIFICATIONS

Material:

Insulator: PBT, glass reinforced thermoplastic, rated UL 94V-0
Contacts: Phosphor Bronze

Plating:

- G** - 5 µin gold over 50 µin nickel underplate
- SG** - 5 µin gold on contact area and 100 µin tin-lead on solder-tails
- T** - 100 µin tin-lead over 50 µin copper underplate

Electrical:

- Operation voltage:** 250 VAC max
- Current rating:** 1 Amp max
- Contact resistance:** 25 mΩ max
- Insulation resistance:** 1000 MΩ min @ 500 VDC between adjacent contacts (75°F and 50% R.H.)
- Dielectric withstanding voltage:** 1000 VDC min rms (sea level)

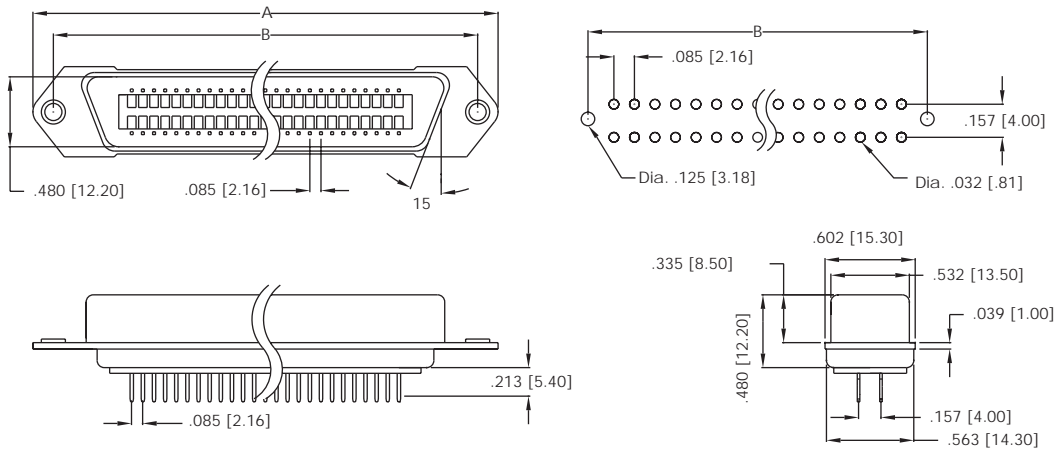


ORDERING INFORMATION

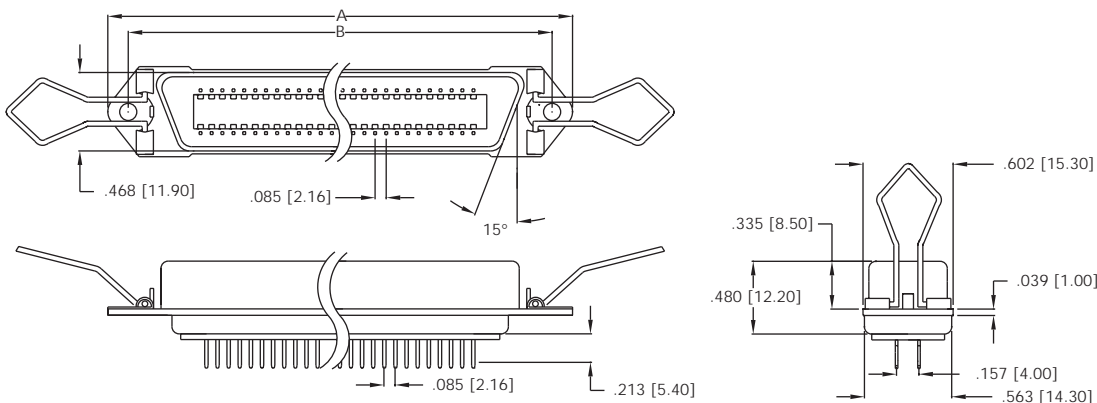
choose one from each category as shown in sample below

CC	S	1	A
Series	Positions/ Gender	Mounting Angle	Mounting
CC - Centronic Connector	Plug: 14P, 24P, 36P, 50P Socket: 14S, 24S, 36S, 50S	1 - Right Angle PCB Mount 2 - Straight PCB Mount 3 - Flat Cable IDC Termination 4 - Solder Terminals	A - Through Holes B - #4-40 Threaded Clinch Nuts C - Notch Ears (plug only) D - Spring Latches (socket only)

STRAIGHT PCB MOUNT MALE



STRAIGHT PCB MOUNT FEMALE

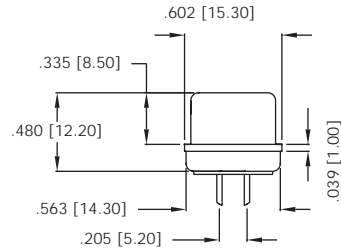
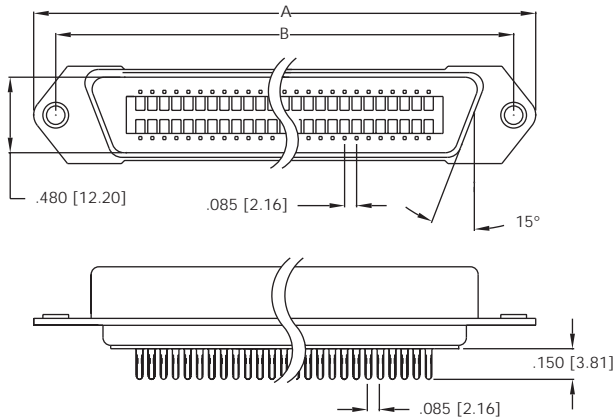


CENTRONIC CONNECTOR

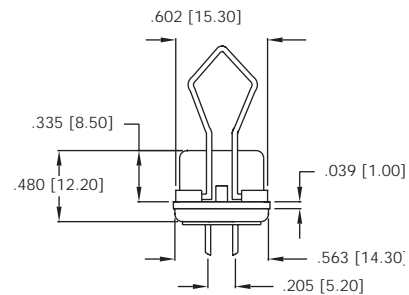
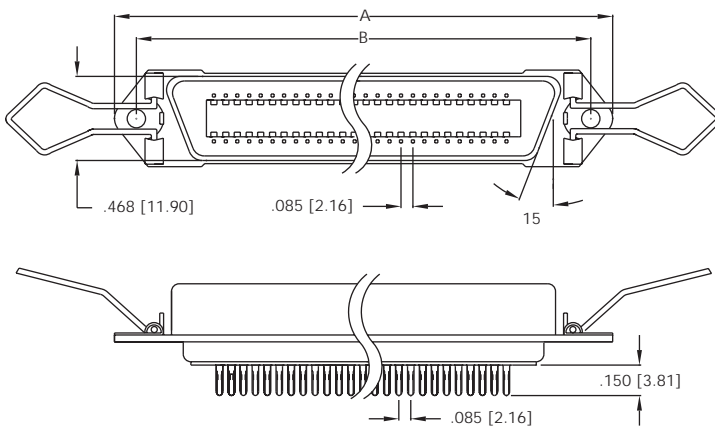
.050" [1.27] PCB MOUNT / FLAT CABLE / SOLDER TERMINAL



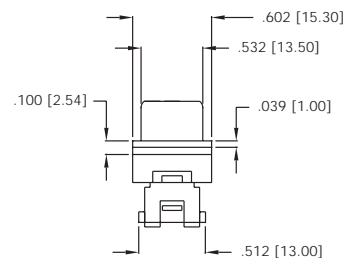
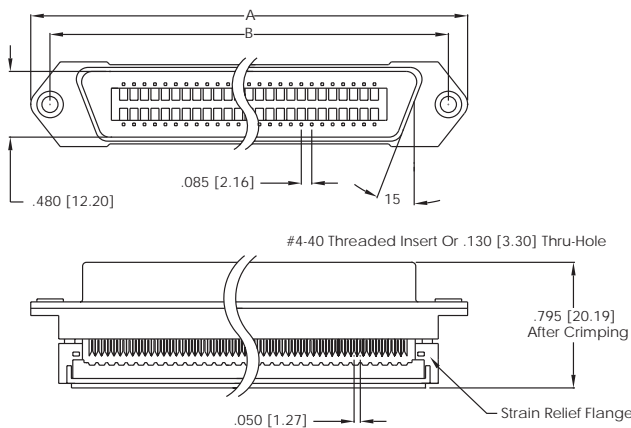
SOLDER TERMINAL MALE



SOLDER TERMINAL FEMALE



FLAT CABLE IDC MALE

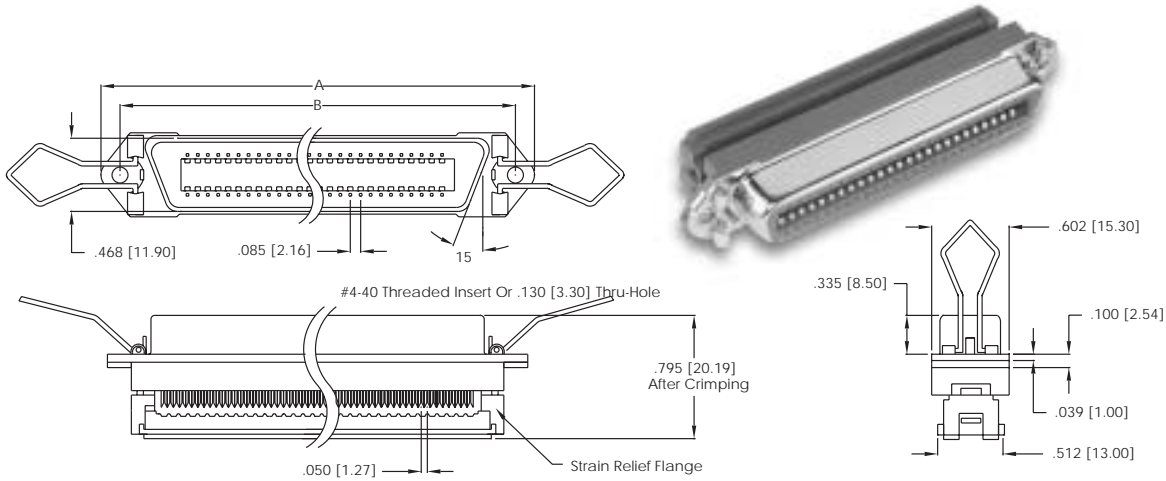


CENTRONIC CONNECTOR

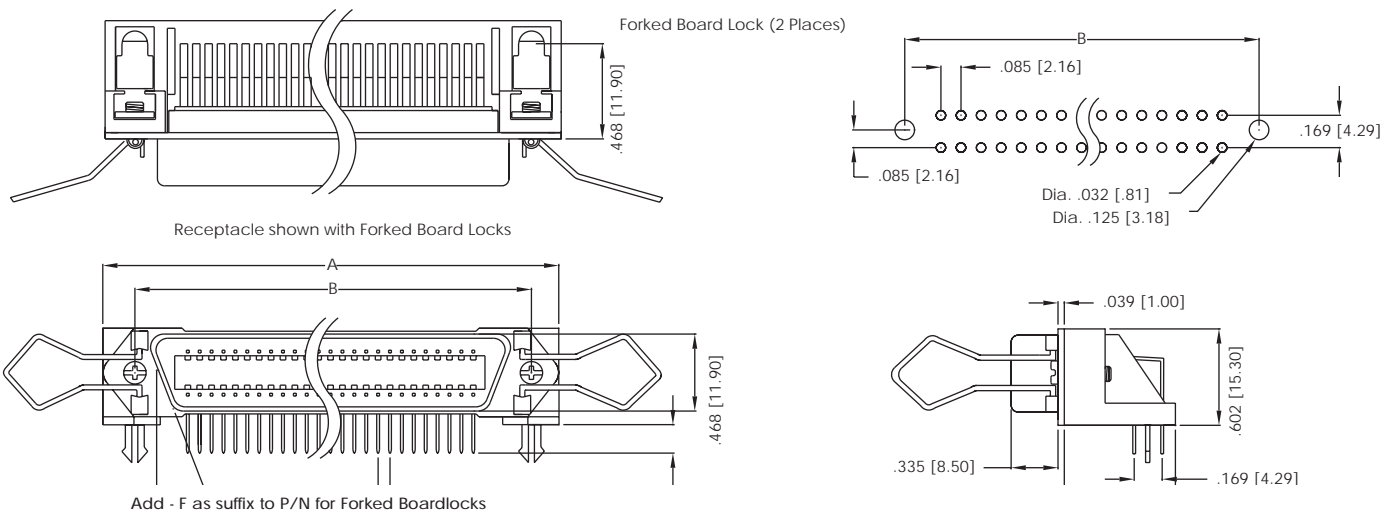
.050" [1.27] PCB MOUNT / FLAT CABLE / SOLDER TERMINAL



FLAT CABLE IDC FEMALE



RIGHT ANGLE PCB MOUNT FEMALE



PART NO. CC-50S-2-B-PF STRAIGHT PCB MOUNT FEMALE WITH PRESS FIT OPTION

