

.050" SCSI II / III

.050" [1.27] RIGHT ANGLE & VERTICAL PCB MOUNT



SPECIFICATIONS

Material:

- Shell:** Zinc, Nickel-plated
- Insulator:** PBT glass reinforced thermoplastic, rated UL 94V-0
- Contacts:** Phosphor Bronze
- Grounding bracket:** Zinc, nickel-plated
- Boardlocks:** Phosphor Bronze, Tin-plated

Electrical:

- Operation voltage:** 250 VAC max
- Current rating:** 1 Amp max
- Contact resistance:** 20 mΩ max
- Insulation resistance:** 5000 MΩ min @ 1000 VDC between adjacent contacts (75°F and 50% R.H.)
- Dielectric withstanding voltage:** 1000 VDC min rms (sea level)
- Capacitance:** 2 pF max between adjacent contacts

Plating:

5 μin gold on contact area over 50 μin nickel, 100 μin tin on solder-tails

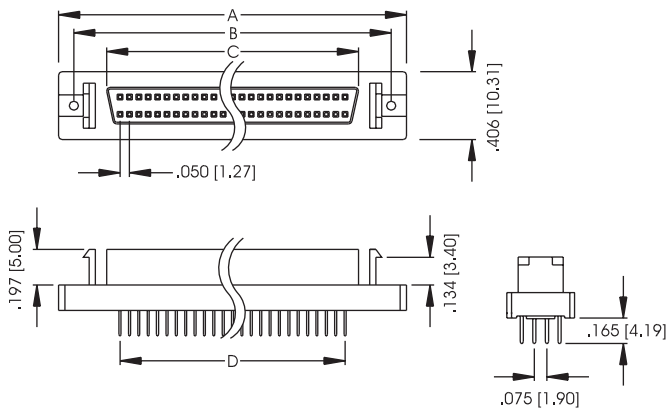


ORDERING INFORMATION

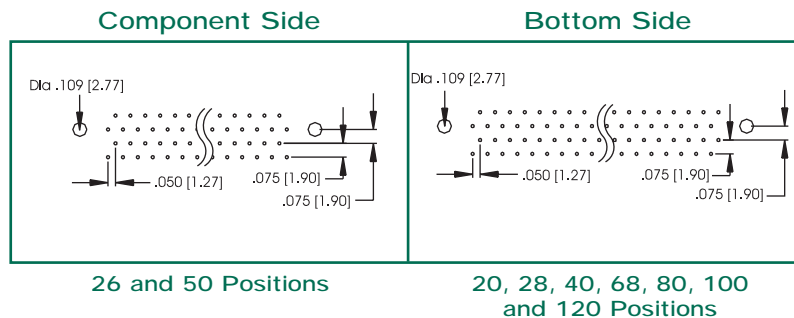
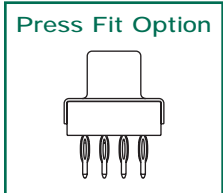
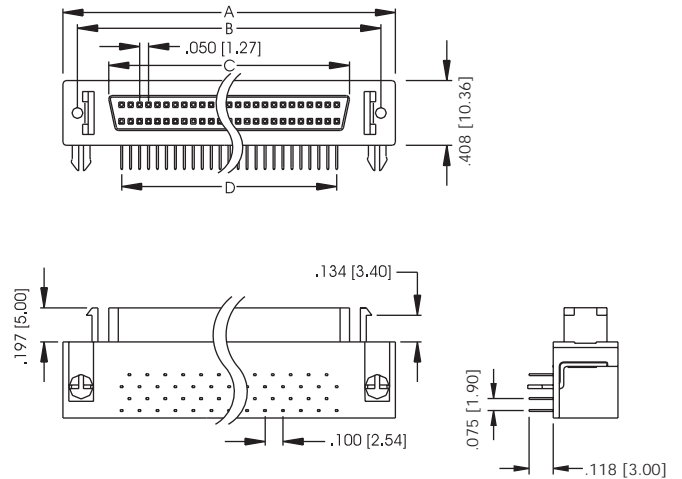
choose one from each category as shown in sample below

SR	50	L	1	A
Series	Positions	Face Latch Option	Right Angle Mount Options	Mounting Flange Threading
SR - SCSI II Right Angle Female SV - SCSI II Straight Female SE - SCSI II Edge Mount Male SF - SCSI III Discrete IDC Male SG - SCSI III IDC Flat Cable Male	20, 26, 28, 40, 50, 68, 80, 100, 120	L - Latches N - No Latches	1 - Boardsnaps 2 - #4-40 Threaded Holes 3 - #2-56 Threaded Holes 4 - .125 Non-Threaded Holes	A - #4-40 B - #2-56 C - M2, 6
				Options P - Press Fit Pins M - All Metal Body Str. Only

SV SERIES STRAIGHT MOUNT FEMALE



SR SERIES RIGHT ANGLE MOUNT FEMALE

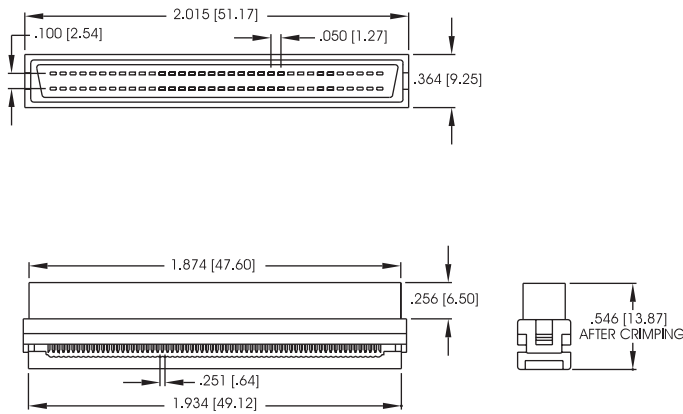


.050" SCSI II / III

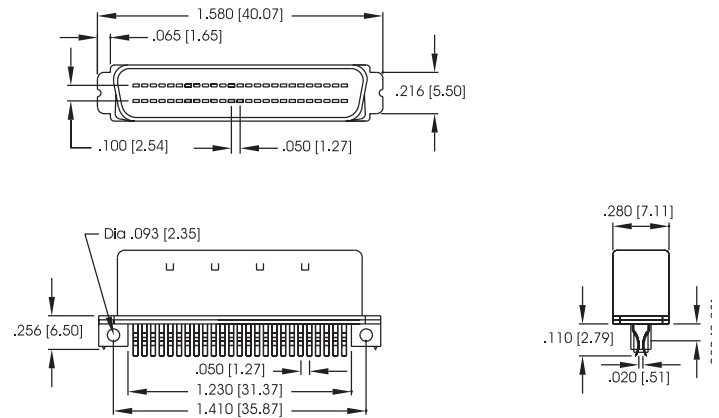
.050" [1.27] RIGHT ANGLE & VERTICAL PCB MOUNT



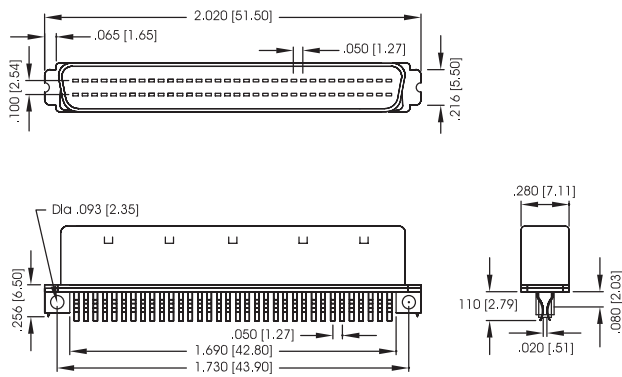
SCSI III 68P IDC MALE FLAT CABLE - SG TYPE



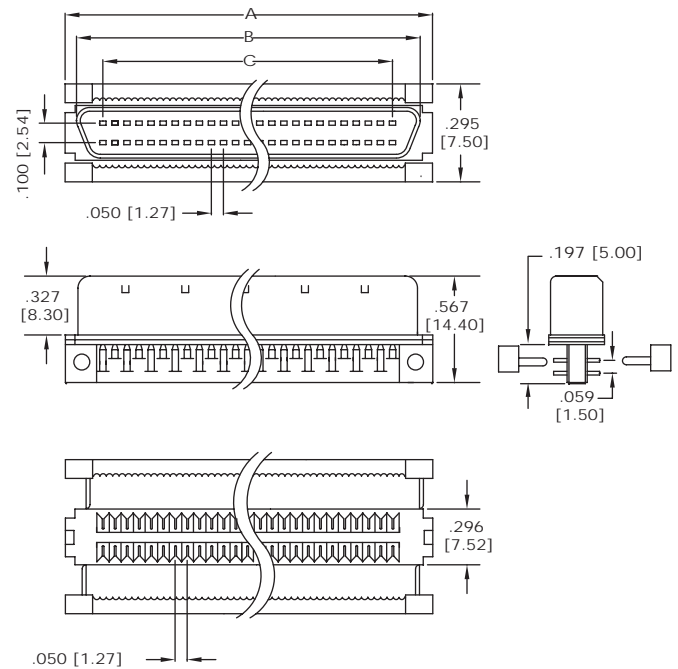
SCSI II 50P EDGE MOUNT MALE SE TYPE



SCSI III 68P EDGE MOUNT MALE SE TYPE



SCSI III DISCRETE IDC MALE SF TYPE



Dimensional									
Positions	20	26	28	40	50	68	80	100	120
A	1.323 (33.60)	1.469 (37.30)	1.523 (38.68)	1.823 (46.30)	2.073 (52.65)	2.523 (64.08)	2.823 (71.70)	3.323 (84.40)	3.823 (97.10)
B	1.081 (27.45)	1.228 (31.20)	1.281 (32.53)	1.581 (40.15)	1.831 (46.50)	2.281 (57.93)	2.581 (65.55)	3.081 (78.25)	3.581 (90.95)
C	0.600 (15.25)	0.750 (19.05)	0.800 (20.33)	1.100 (27.95)	1.350 (34.50)	1.800 (45.73)	2.100 (53.35)	2.600 (66.05)	3.100 (78.75)
D	0.450 (11.43)	0.600 (15.24)	0.650 (16.51)	0.950 (24.13)	1.200 (30.48)	1.650 (41.91)	1.950 (49.53)	2.450 (62.23)	2.950 (74.93)

Unit: inch/mm