

MINI CENTRONIC CONNECTOR

RIGHT ANGLE & VERTICAL PCB MOUNT



SPECIFICATIONS

Material:

Shell: Steel, tin-plated
Insulator: PBT, glass-reinforced thermo plastic rated UL 94V-0
Contacts: Phosphor Bronze
Grounding bracket: Zinc, plated nickel over copper

Plating:

5 µin gold on contact area over 50 µin nickel underplate, 100 µin tin-lead on solder-tails

Electrical:

Operation voltage: 250 VAC max
Current rating: 1 Amp max
Contact resistance: 20 mΩ max
Insulation resistance: 5000 MΩ min
Dielectric withstanding voltage: 1000 VDC min rms (sea level)
Capacitance: 2 pF max between adjacent contacts



Dimensional:			
Position	A	B	C
14	1.161 (29.49)	0.919 (23.34)	0.494 (12.55)
36	1.723 (43.76)	1.481 (37.62)	1.056 (26.82)
50	2.073 (52.65)	1.831 (46.50)	1.406 (35.70)
68	2.523 (64.08)	2.281 (57.94)	1.856 (47.14)

Unit: inch/mm

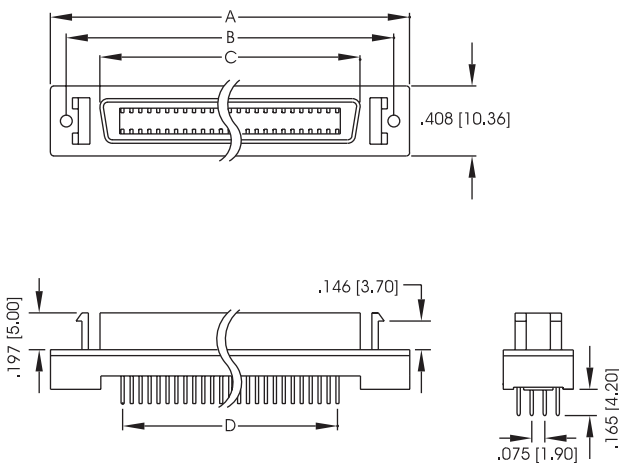


ORDERING INFORMATION

choose one from each category as shown in sample below

MCR	50	L	1	A
Series	Positions	Face Latch Option	Right Angle Mount Options	Mounting Flange Threading
MCR - .050" Ribbon Connector Right Angle Mount	14, 36, 50, 68	L - Latches N - No Latches	1 - Boardsnaps (RA only) 2 - #4-40 Threaded Holes 3 - #2-56 Threaded Holes 4 - .125 Non-Threaded Holes	A - #4-40 B - #2-56 C - M2, 6
MCV - .050" Ribbon Connector Straight Mount				

STRAIGHT MOUNT - FEMALE



RIGHT ANGLE MOUNT - FEMALE

