

# HD D-SUB

## CONNECTOR BODY & CRIMP CONTACT

### SPECIFICATIONS

#### Material:

**Shell:** Steel, tin-plated  
**Insulator:** PBT, glass reinforced thermoplastic, rated UL 94V-0  
**Insulator color:** Black  
**Contacts:** Phosphor Bronze  
**Hardware:** Brass, nickel plated

#### Contact:

5 μin gold on contact area over 50 μin nickel underplate, gold flash on solder-pins

### ORDERING INFORMATION

choose one from each category as shown in sample below

HDC	15P	Options (add as suffix to part number)
<b>Series</b>	<b>Positions/ Gender</b>	<b>CN</b> - Clinch nut <b>RJ</b> - Riveted Jack Screw
HDC HD D-Sub Connector	<b>Plug:</b> 15P, 26P, 44P, 62P, 78P <b>Socket:</b> 15S, 26S, 44S, 62S, 78S	<b>Crimp Contact Part No.</b> <b>Plug Contact:</b> HCP-1 <b>Socket Contact:</b> HCS-1 <b>Add Suffix</b> - L for 1000 pcs loose in bag - R for 5000 pcs chain reel 1 = 22AWG 2 = 24AWG 3 = 30AWG

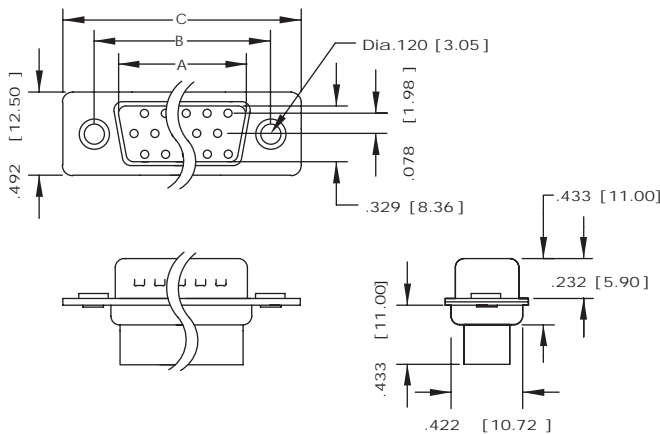


#### Electrical:

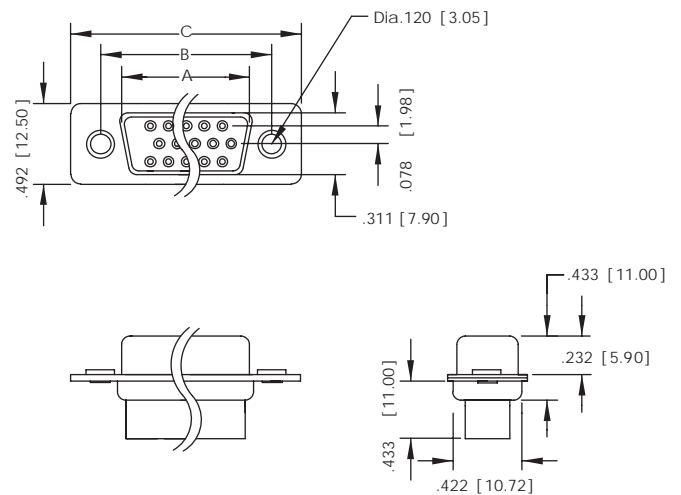
**Operation voltage:** 250 VAC max  
**Current rating:** 3 Amps max  
**Contact resistance:** 20 mΩ max  
**Insulation resistance:** 3000 MΩ min @ 1000 VDC between adjacent contacts (75° F and 50% R.H.)  
**Dielectric withstanding voltage:** 1000 VAC min rms (sea level)



#### PLUG

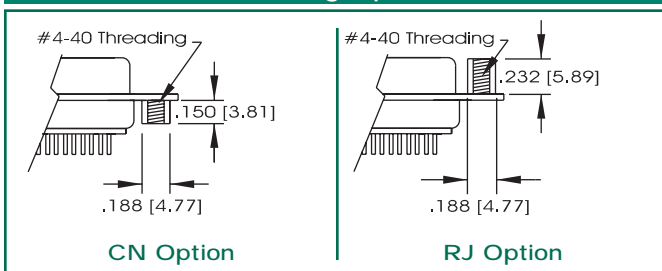


#### SOCKET



Socket Dimensions				Plug Dimensions			
Contacts	A	B	C	Contacts	A	B	C
15	.643 (16.33)	.984 (24.99)	1.213 (30.81)	15	.666 (16.92)	.984 (24.99)	1.213 (30.81)
26	.971 (24.66)	1.312 (33.32)	1.541 (39.14)	26	.994 (25.25)	1.312 (33.32)	1.541 (39.14)
44	1.511 (38.38)	1.852 (47.04)	2.088 (53.04)	44	1.534 (38.96)	1.852 (47.04)	2.088 (53.04)
62	2.159 (54.84)	2.500 (63.50)	2.729 (69.32)	62	2.182 (55.42)	2.500 (63.50)	2.729 (69.32)
78	2.064 (52.43)	2.406 (61.11)	2.635 (66.93)	78	2.079 (52.81)	2.406 (61.11)	2.635 (66.93)

#### Mounting Options



#### Plug Crimp Contact

#### Socket Crimp Contact

