

HD D-SUB

SOLDER CUP



SPECIFICATIONS

Material:

Shell: Steel, tin-plated
Insulator: PBT, glass reinforced thermoplastic, rated UL 94V-0
Insulator color: Black
Contacts: Phosphor Bronze
Hardware: Brass, nickel plated

Plating:

5 µin gold on contact area over 50 µin nickel underplate, gold flash on solder-pins

ORDERING INFORMATION

choose one from each category as shown in sample below

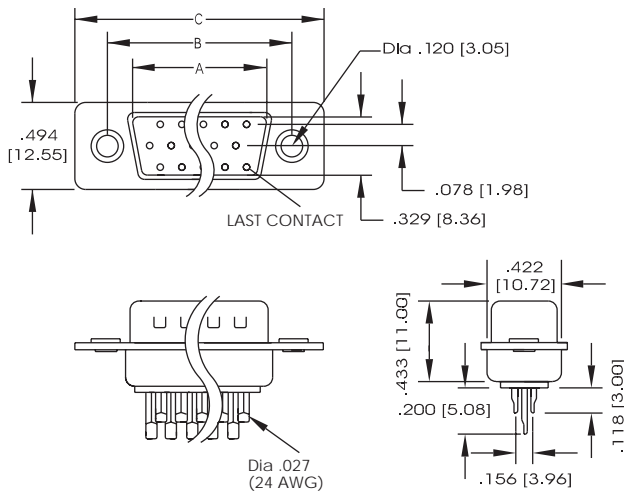
HDA	15P	
Series	Positions/Gender	Options (add as suffix to part number)
HDA HD D-Sub Solder Cup	Plug: 15P, 26P, 44P, 62P, 78P Socket: 15S, 26S, 44S, 62S, 78S	CN - Clinch nut RJ - Riveted Jack Screw

Electrical:

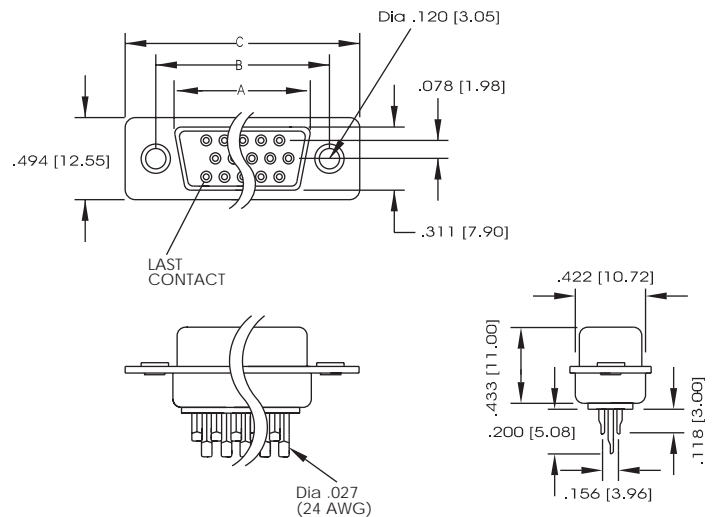
Operation voltage: 250 VAC max
Current rating: 3 Amps max
Contact resistance: 20 mΩ max
Insulation resistance: 3000 MΩ min @ 1000 VDC between adjacent contacts (75° F and 50% R.H.)
Dielectric withstanding voltage: 1000 VAC min rms (sea level)



PLUG



SOCKET



Socket Dimensions

Plug Dimensions

Contacts	A	B	C	Contacts	A	B	C
15	.643 (16.33)	.984 (24.99)	1.213 (30.81)	15	.666 (16.92)	.984 (24.99)	1.213 (30.81)
26	.971 (24.66)	1.312 (33.32)	1.541 (39.14)	26	.994 (25.25)	1.312 (33.32)	1.541 (39.14)
44	1.511 (38.38)	1.852 (47.04)	2.088 (53.04)	44	1.534 (38.96)	1.852 (47.04)	2.088 (53.04)
62	2.159 (54.84)	2.500 (63.50)	2.729 (69.32)	62	2.182 (55.42)	2.500 (63.50)	2.729 (69.32)
78	2.064 (52.43)	2.406 (61.11)	2.635 (66.93)	78	2.079 (52.81)	2.406 (61.11)	2.635 (66.93)

Unit: inch/mm

MOUNTING OPTIONS

