

# HD D-SUB

STRAIGHT PCB MOUNT

## SPECIFICATIONS

### Material:

**Shell:** Steel, tin-plated  
**Insulator:** PBT, glass reinforced thermoplastic, rated UL 94V-0  
**Insulator color:** Black  
**Contacts:** Phosphor Bronze  
**Hardware:** Brass, nickel plated

### Plating:

5 µin gold. on contact area over 50 µin nickel underplate, gold flash on solder-pins

## ORDERING INFORMATION

choose one from each category as shown in sample below

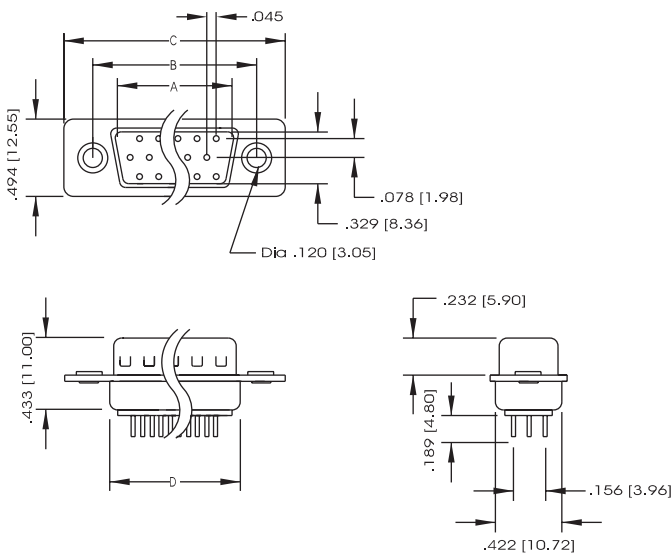
HDB		15P	
Series	Positions/Gender	Options (add as suffix to part number)	
HDB HD D-Sub Straight PCB Mount	<b>Plug:</b> 15P, 26P, 44P, 62P, 78P <b>Socket:</b> 15S, 26S, 44S, 62S, 78S	<b>CN</b> - Clinch nut <b>RJ</b> - Riveted Jack Screw <b>BS</b> - Boardsnaps	

### Electrical:

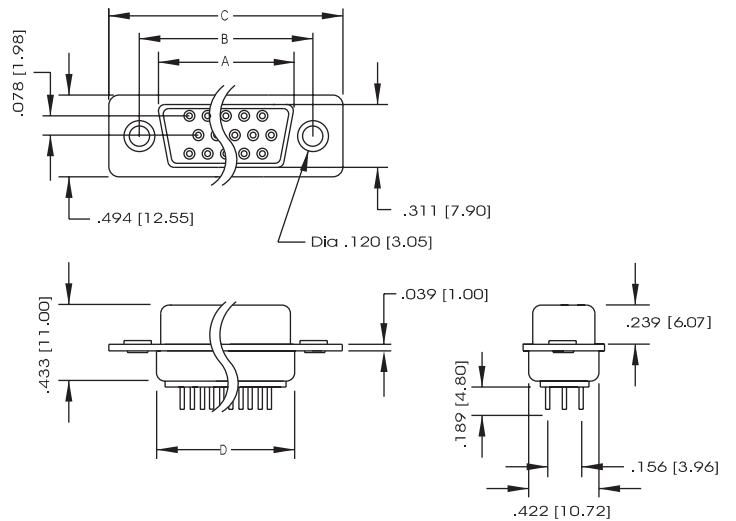
**Operation voltage:** 250 VDC max  
**Current rating:** 3 Amps max  
**Contact resistance:** 20 mΩ max  
**Insulation resistance:** 3000 MΩ min @ 1000 VDC between adjacent contacts (75° F and 50% R.H.)  
**Dielectric withstanding voltage:** 1000 VAC min rms (sea level)



### PLUG



### SOCKET



Socket Dimensions				Plug Dimensions			
Contacts	A	B	C	Contacts	A	B	C
15	.643 (16.33)	.984 (24.99)	1.213 (30.81)	15	.666 (16.92)	.984 (24.99)	1.213 (30.81)
26	.971 (24.66)	1.312 (33.32)	1.541 (39.14)	26	.994 (25.25)	1.312 (33.32)	1.541 (39.14)
44	1.511 (38.38)	1.852 (47.04)	2.088 (53.04)	44	1.534 (38.96)	1.852 (47.04)	2.088 (53.04)
62	2.159 (54.84)	2.500 (63.50)	2.729 (69.32)	62	2.182 (55.42)	2.500 (63.50)	2.729 (69.32)
78	2.064 (52.43)	2.406 (61.11)	2.635 (66.93)	78	2.079 (52.81)	2.406 (61.11)	2.635 (66.93)

Unit: Inch / mm

## MOUNTING OPTIONS

