

HD D-SUB / VIDEO CONNECTOR

R/A PCB MOUNT - STANDARD & VIDEO GRAPHICS CONNECTOR



SPECIFICATIONS

Material:

Shell: Steel, tin-plated
Insulator: PBT, glass reinforced thermoplastic, rated UL 94V-0
Standard insulator color: Black
HDVG option insulator color: Blue
Contacts: Phosphor Bronze
Hardware: Brass, nickel plated

Plating:

5 µin gold on contact area over 50 µin nickel underplate, gold flash on solder-pins

ORDERING INFORMATION

choose one from each category as shown in sample below

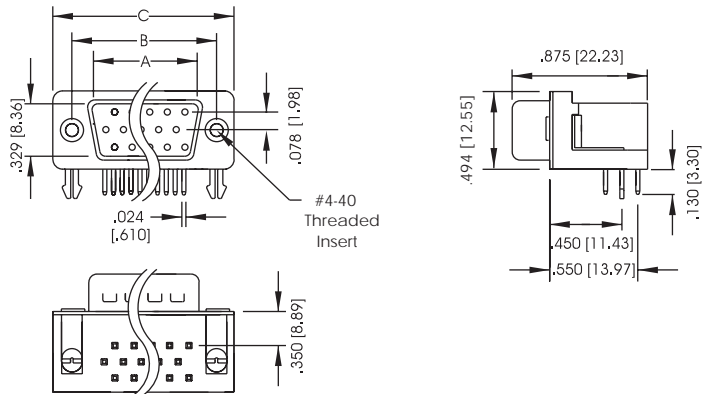
HDR		15P	Options (add as suffix to part number)
Series	Positions/ Gender		
HDR - HD D-Sub Right Angle PCB	Plug: 15P, 26P, 44P, 62P, 78P		4 - Four Finger Board Lock F - Fixed Jackscrew J - Removable Jackscrew E - Ferrite Filter Attenuation Graph Pg.51
VGR - HD D-Sub Video Graphics Connector	Socket: 15S, 26S, 44S, 62S, 78S (VGR 15S only)		

Electrical:

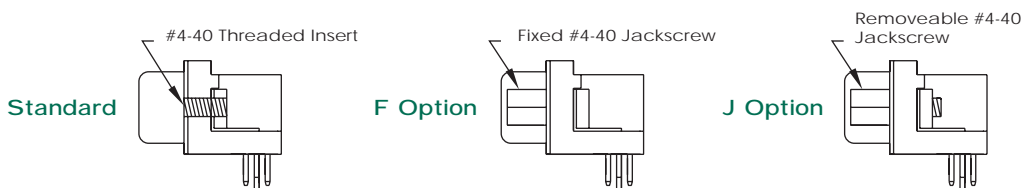
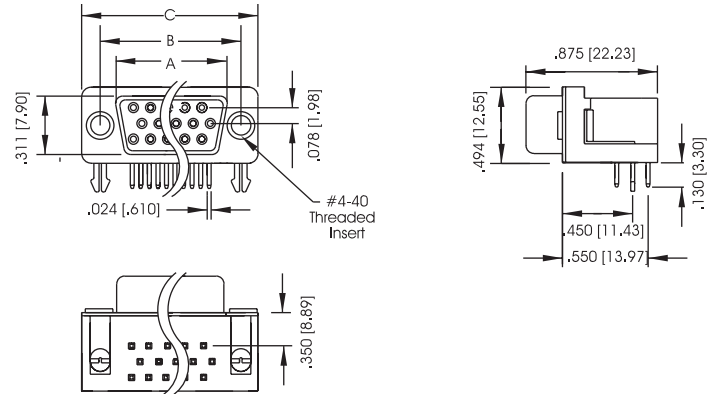
Operation voltage: 250 VAC max
Current rating: 3 Amps max
Contact resistance: 20 mΩ max
Insulation resistance: 3000 MΩ min @ 1000 VDC between adjacent contacts (75° F and 50% R.H.)
Dielectric withstanding voltage: 1000 VAC min rms (sea level)



PLUG



SOCKET

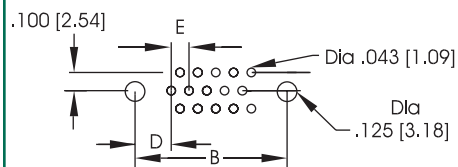


Unit: inch/mm

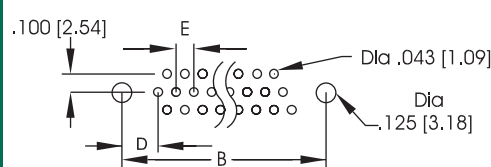
Dimensional

Positions	A (Socket)	A (Plug)	B	C	D	E
15	.643 (16.33)	.666 (16.92)	.984 (24.99)	1.213 (30.81)	.277 (7.04)	.090 (2.29)
26	.971 (24.66)	.994 (25.25)	1.312 (33.32)	1.541 (39.14)	.271 (6.88)	.090 (2.29)
44	1.511 (38.38)	1.534 (38.96)	1.852 (47.04)	2.088 (53.04)	.271 (6.88)	.090 (2.29)
62	2.159 (54.84)	2.182 (55.42)	2.500 (63.50)	2.729 (69.32)	.276 (7.00)	.095 (2.41)
78	2.064 (52.43)	2.406 (61.11)	2.635 (66.93)	.300 (7.63)	.095 (2.41)	

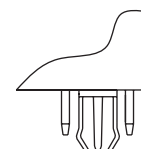
Socket PC Board Layout - 15S



Socket PC Board Layout - 26, 44, 62S



Four Pronged Boardlock Option



VGR Option

