

D-SUB

SOLDER CUP

SPECIFICATIONS

Material:

Shell: Steel, tin-plated
Insulator: PBT, glass reinforced thermoplastic, rated UL 94V-0
Insulator color: Black
Contacts: Phosphor Bronze
Hardware: Brass, nickel plated

Plating:

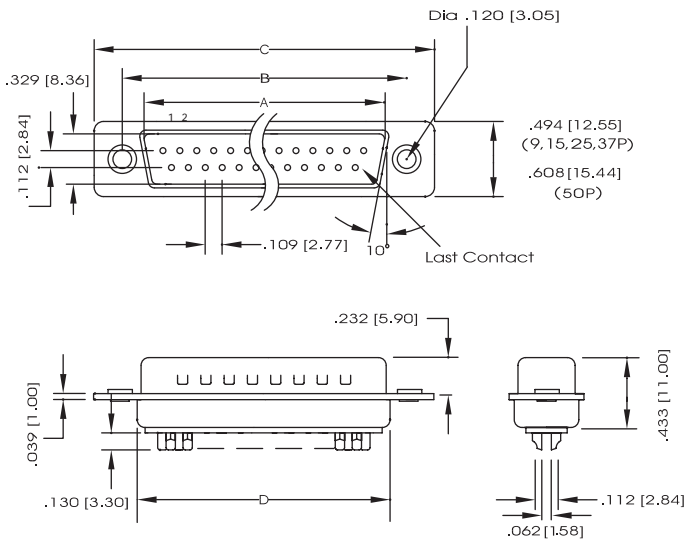
5 µin gold on contact area over 50 µin nickel underplate, gold flash on solder-pins

ORDERING INFORMATION

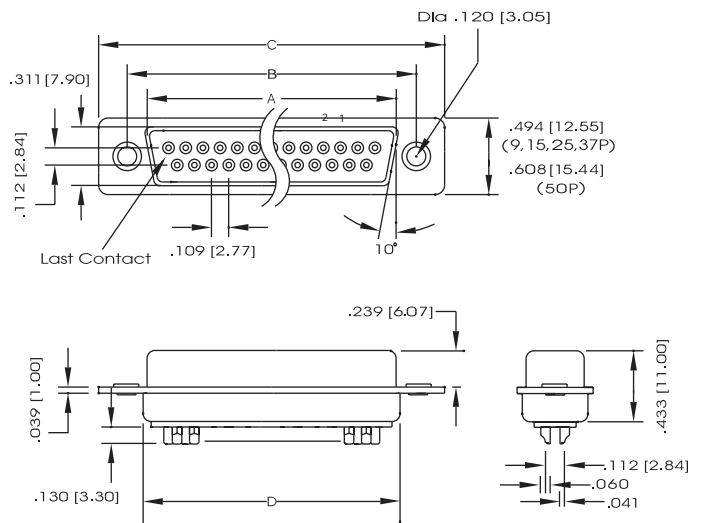
choose one from each category as shown in sample below

| DA | 9P | Options (add as suffix to part number) |
|---------------------------|--|--|
| Series | Positions/Gender | |
| DA D-Sub Solder Cup | Plug: 9P, 15P, 25P, 37P, 50P Socket: 9S, 15S, 25S, 37S, 50S | CN - Clinch nut RJ - Riveted Jack Screw |

PLUG



SOCKET



Dimensional: Socket

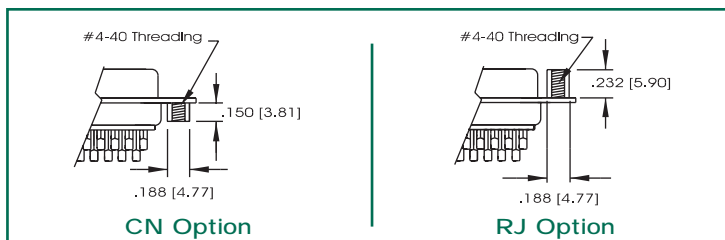
| Contacts | A | B | C |
|----------|---------------|---------------|---------------|
| 9 | .643 (16.33) | .984 (24.99) | 1.213 (30.81) |
| 15 | .971 (24.66) | 1.312 (33.32) | 1.541 (39.14) |
| 25 | 1.511 (38.38) | 1.852 (47.04) | 2.088 (53.04) |
| 37 | 2.159 (54.84) | 2.500 (63.50) | 2.729 (69.32) |
| 50 | 2.064 (52.43) | 2.406 (61.11) | 2.635 (66.93) |

Dimensional: Plug

| Contacts | A | B | C |
|----------|---------------|---------------|---------------|
| 9 | .666 (16.92) | .984 (24.99) | 1.213 (30.81) |
| 15 | .994 (25.25) | 1.312 (33.32) | 1.541 (39.14) |
| 25 | 1.534 (38.96) | 1.852 (47.04) | 2.088 (53.04) |
| 37 | 2.182 (55.42) | 2.500 (63.50) | 2.729 (69.32) |
| 50 | 2.079 (52.81) | 2.406 (61.11) | 2.635 (66.93) |

Unit: inch/mm

MOUNTING OPTIONS



Electrical:

Operation voltage: 250 VAC max
Current rating: 3 Amps max
Contact resistance: 20 mΩ max
Insulation resistance: 3000 MΩ min @ 1000 VDC between adjacent contacts (75° F and 50% R.H.)
Dielectric withstanding voltage: 1000 VAC min rms (sea level)

