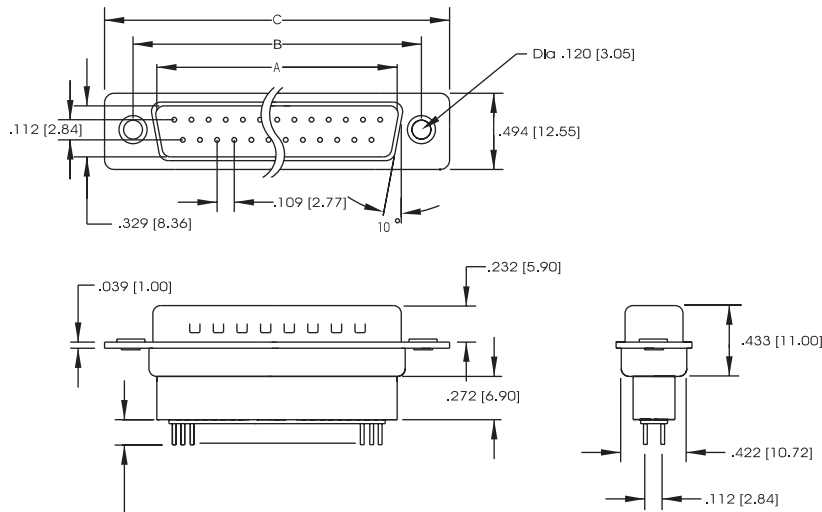


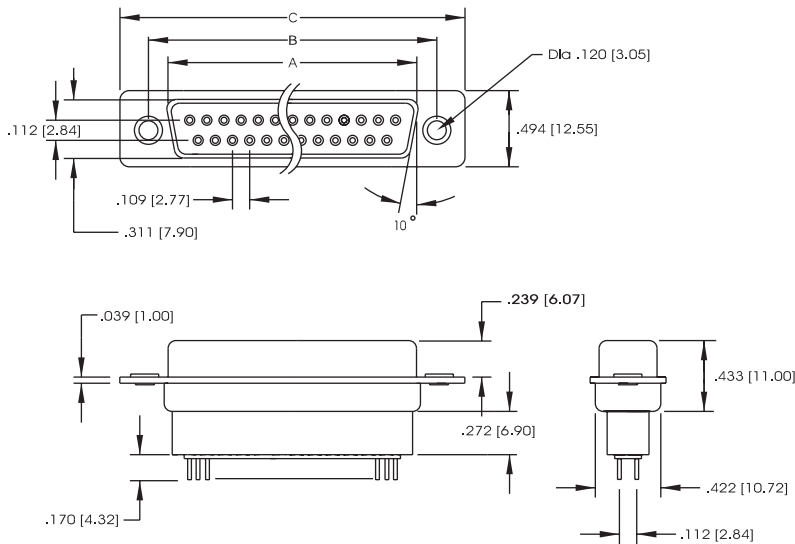
D-SUB

STRAIGHT PCB MOUNT - HIGH PROFILE

PLUG - HIGH PROFILE



SOCKET - HIGH PROFILE



Dimensional: Socket				Dimensional: Plug			
Contacts	A	B	C	Contacts	A	B	C
9	.643 (16.33)	.984 (24.99)	1.213 (30.81)	9	.666 (16.92)	.984 (24.99)	1.213 (30.81)
15	.971 (24.66)	1.312 (33.32)	1.541 (39.14)	15	.994 (25.25)	1.312 (33.32)	1.541 (39.14)
25	1.511 (38.38)	1.852 (47.04)	2.088 (53.04)	25	1.534 (38.96)	1.852 (47.04)	2.088 (53.04)
37	2.159 (54.84)	2.500 (63.50)	2.729 (69.32)	37	2.182 (55.42)	2.500 (63.50)	2.729 (69.32)
50	2.064 (52.43)	2.406 (61.11)	2.635 (66.93)	50	2.079 (52.81)	2.406 (61.11)	2.635 (66.93)

Unit: inch/mm

MOUNTING OPTIONS

