

D-SUB FLAT CABLE

IDC FLAT CABLE TERMINATION



SPECIFICATIONS

Material:

Shell: Steel, tin-plated
Insulator: PBT, glass reinforced thermoplastic rated UL 94V-0
Insulator color: Black
Contacts: Phosphor Bronze
Rivet insert: Brass, nickel-plated

Plating:

5 µin gold on contact area over 50 µin nickel underplate

Electrical:

Operation voltage: 250 VDC max
Current rating: 3 Amps max
Contact resistance: 20 mΩ max
Insulation resistance: 3000 MΩ min @ 1000 VDC between adjacent contacts (75°F and 50% R.H.)
Dielectric withstanding voltage: 1000 VAC min rms (sea level)



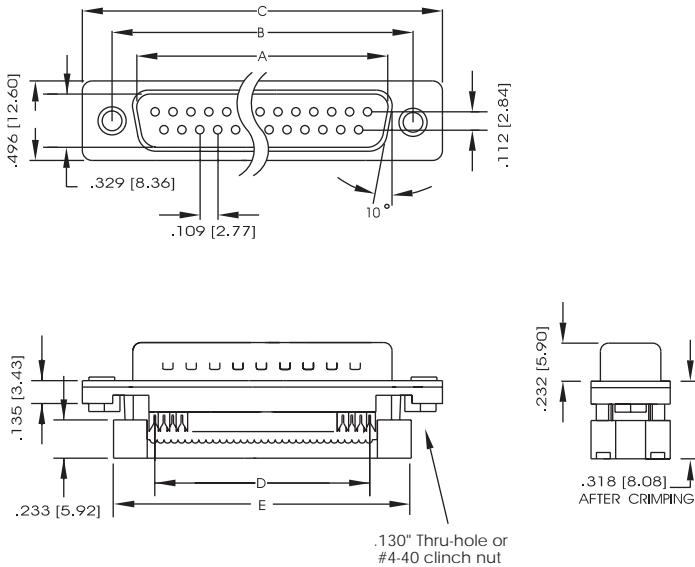
ORDERING INFORMATION

choose one from each category as shown in sample below

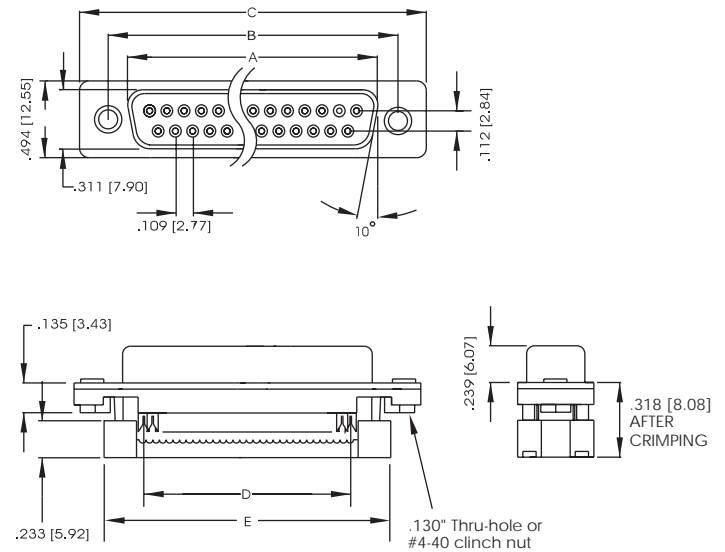
DF	25S	CN
Series	Positions/ Gender	Mounting
DE - D-Sub for Flat Cable plastic body	Plug: 9P, 15P, 25P, 37P, 50P	0 - .130" Mounting Hole CN - #4-40 Clinch Nut
DF - D-Sub for Flat Cable metal shell	Socket: 9S, 15S, 25S, 37S, 50S	Strain Relief Part No.: DF-SR-XX XX - No. Positions



PLUG



SOCKET



Dimensional: Socket

Contacts	A	B	C	D	E
9	.643 (16.33)	.984 (24.99)	1.213 (30.81)	.400 (10.16)	.882 (22.40)
15	.971 (24.66)	1.312 (33.32)	1.541 (39.14)	.700 (17.78)	1.213 (30.80)
25	1.511 (38.38)	1.852 (47.04)	2.088 (53.04)	1.200 (30.48)	1.752 (44.50)
37	2.159 (54.84)	2.500 (63.50)	2.729 (69.32)	2.182 (45.72)	2.417 (61.40)

Unit: inch/mm

Dimensional: Plug

Contacts	A	B	C	D	E
9	.666 (16.92)	.984 (24.99)	1.213 (30.81)	.400 (10.16)	.882 (22.40)
15	.994 (25.25)	1.312 (33.32)	1.541 (39.14)	.700 (17.78)	1.213 (30.80)
25	1.534 (38.96)	1.852 (47.04)	2.088 (53.04)	1.200 (30.48)	1.752 (44.50)
37	2.182 (55.42)	2.500 (63.50)	2.729 (69.32)	1.800 (45.72)	2.417 (61.40)

Unit: inch/mm