

TERMINAL BLOCKS

5mm EURO BLOCKS STANDARD / MICRO / LEVER ACTUATED



SPECIFICATIONS

Material:

Body: PBT glass reinforced, thermoplastic, rated UL 94V-0
Body Color: Green
Terminals: Brass, tin plated
Screws: Steel, nickel plated

Plating:

100 µin bright tin-lead plate to over
 50 µin copper underplate

Electrical:

Operation voltage: 250 VAC max
Current rating: 10 Amps max
Contact resistance: 20 mΩ max
Insulation resistance: 2000 MΩ min @ 1000 VDC between adjacent contacts (75°F and 50% R.H.)
Dielectric withstanding voltage: 5000 VDC min rms (sea level)

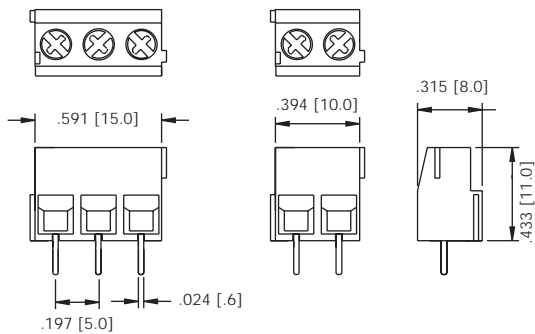


ORDERING INFORMATION

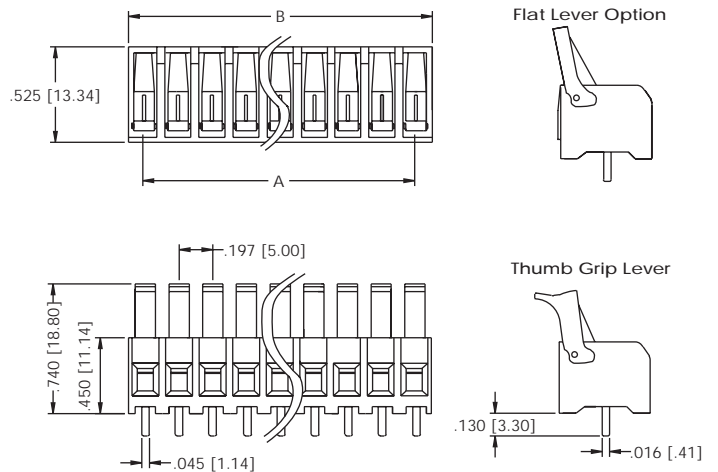
choose one from each category as shown in sample below

T2	O3	
Series	Positions	Options
T1 - Microblock T2 - Standard Straight T3 - Standard Right Angle T4 - Lever Block	02, 03, 04 *Stackable except T4	TL - Thumb Lever for T2 Series

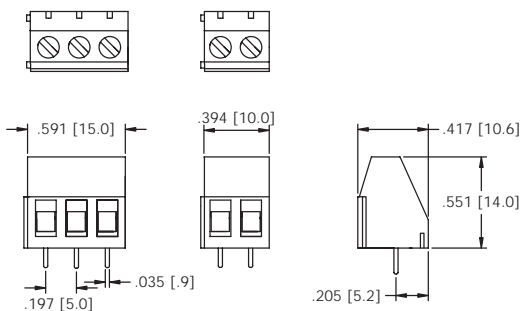
T1 SERIES



T4 SERIES



T2 SERIES



T3 SERIES

