

AC POWER OUTLET

IEC 320 POWER CONNECTORS



SPECIFICATIONS

Material:

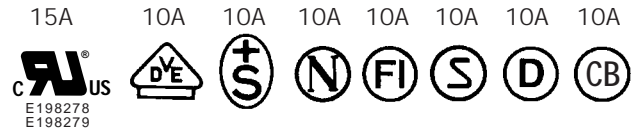
Insulator: Polycarbonate, PBT or Nylon rated UL 94V-0
Insulator color: Black
Contacts: Brass QQ-B-626

Plating:

Contacts: 50 µin bright nickel to QQ-N-290, Class 2, Grade C
Terminals: 100 µin min bright tin plate with 50 µin min copper underplate.

Electrical:

Operation voltage: 250 VAC max
Current rating: 10/15 Amps max
Contact resistance: 20 mΩ max
Insulation resistance: 1000 MΩ min @ 1500 VAC between adjacent contacts (75°F and 50% R.H.)
Dielectric withstanding voltage: 1500 VAC min rms (sea level)

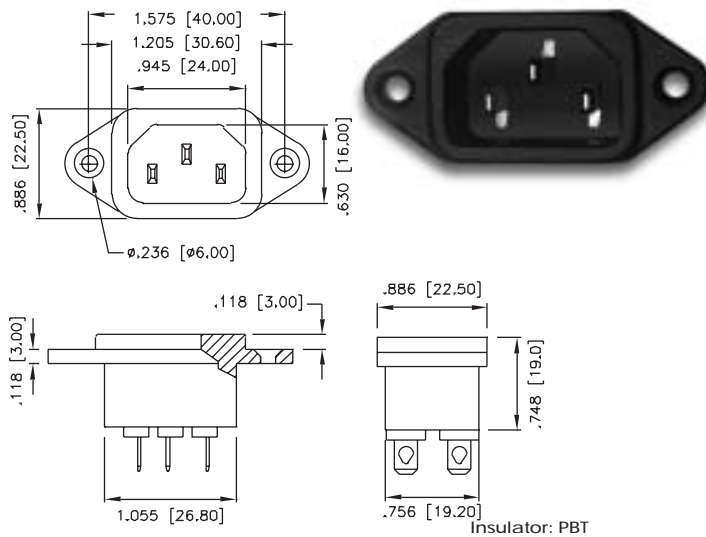


ORDERING INFORMATION

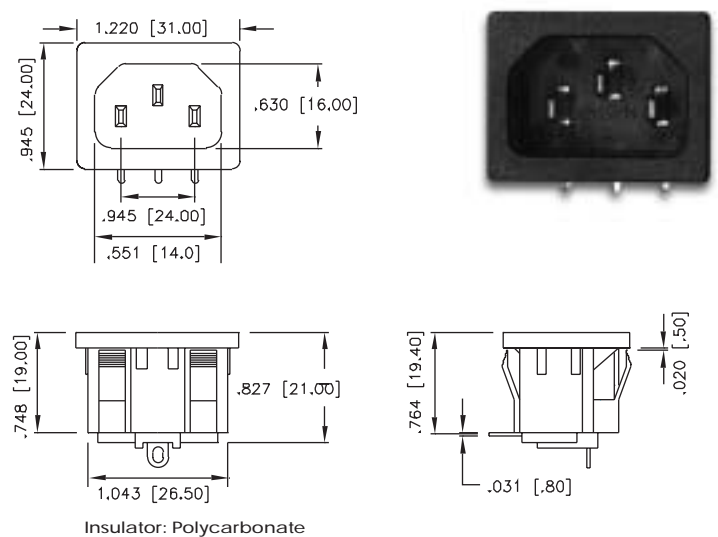
choose one from each category as shown in sample below

ACP		1	A			
Series	Body Type	Terminals				
ACP AC Power Inlet/Outlet	1 thru 14	A	B	C	D	
		.187" Quick-connect	.250" Quick-connect	Solder terminals (4.0mm)	PCB Mount terminals	

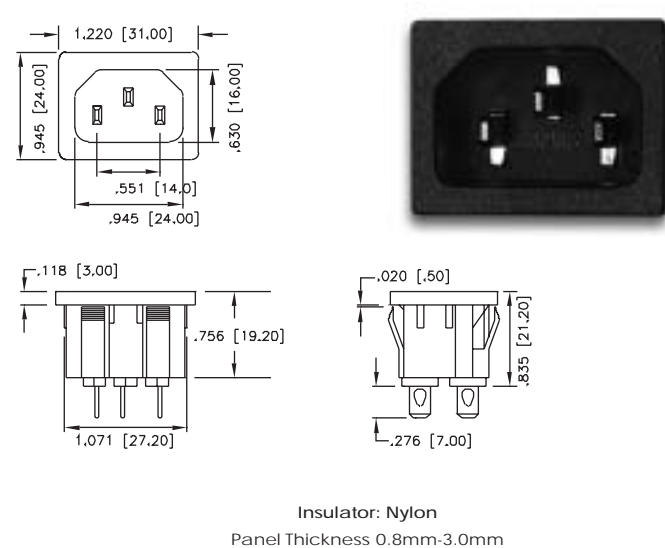
TYPE 1



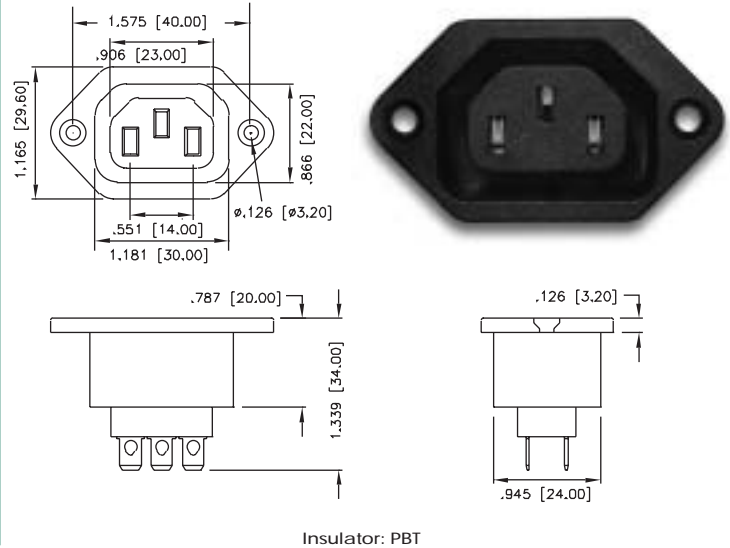
TYPE 2



TYPE 3



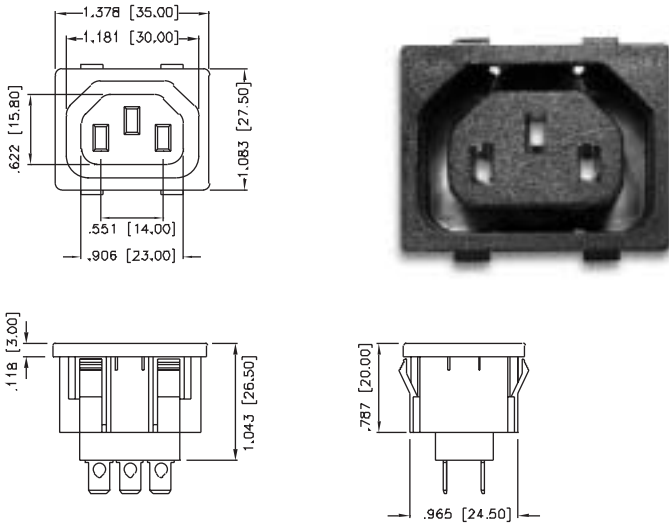
TYPE 4



AC POWER OUTLET

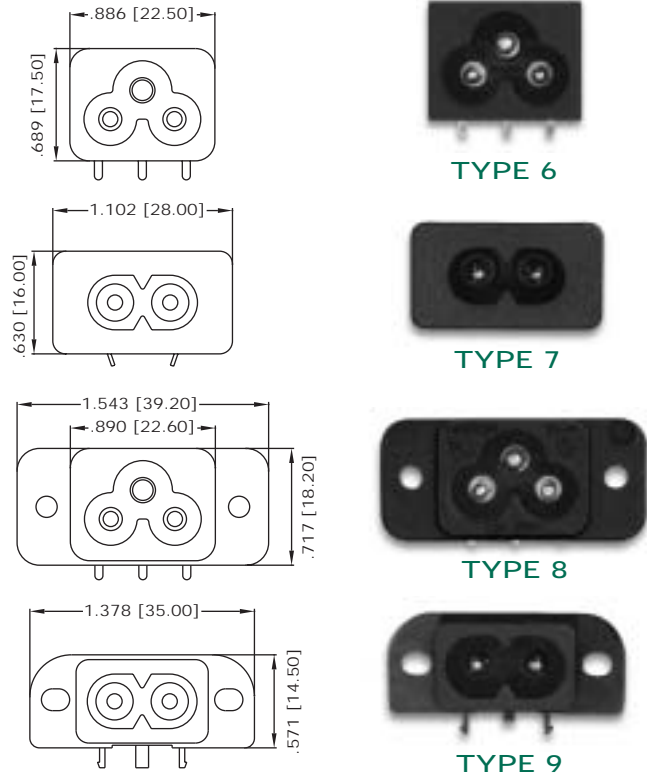
IEC 320 POWER CONNECTORS

TYPE 5



Insulator: Nylon
Panel Thickness 0.8mm-3.0mm

TYPE 6 / 7 / 8 / 9



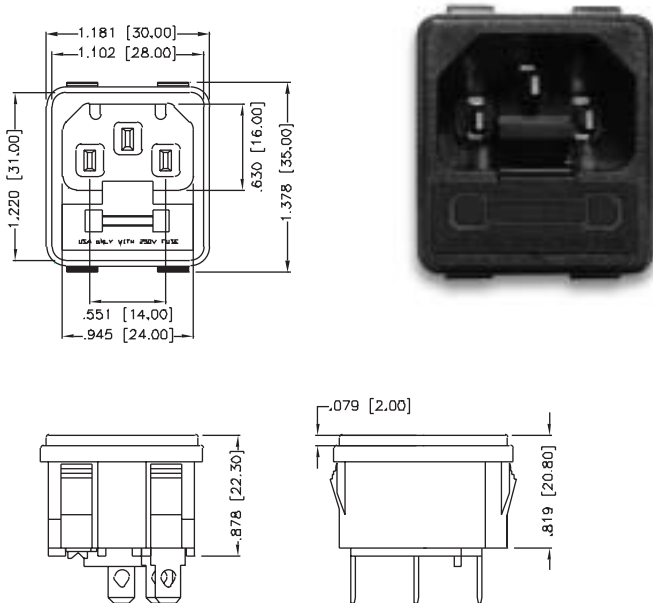
TYPE 6

TYPE 7

TYPE 8

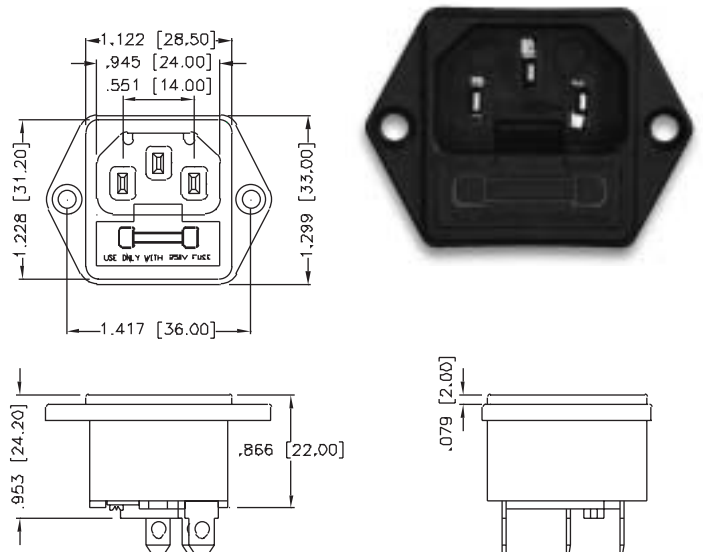
TYPE 9

TYPE 10



Insulator: Nylon
Panel Thickness 0.8mm-3.0mm

TYPE 11

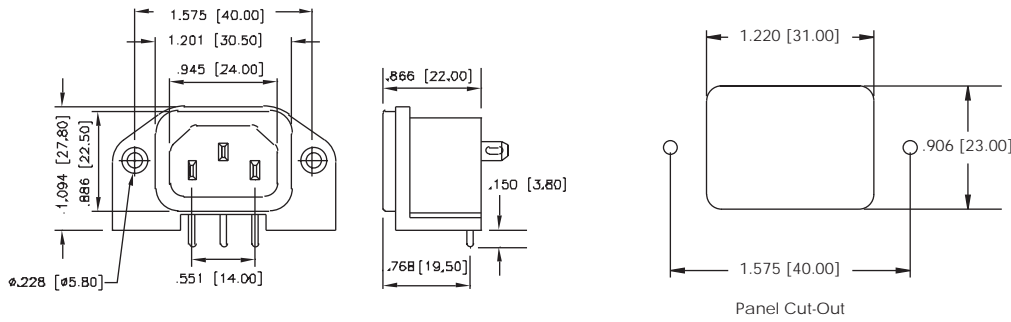


Insulator: PBT

AC POWER OUTLET

IEC 320 POWER CONNECTORS

TYPE 12

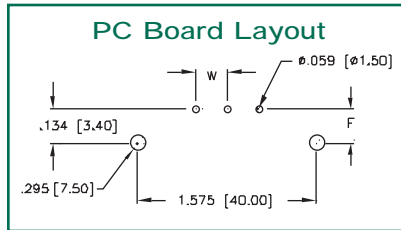
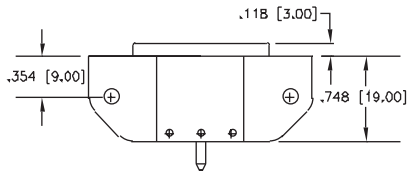


Insulator: PBT

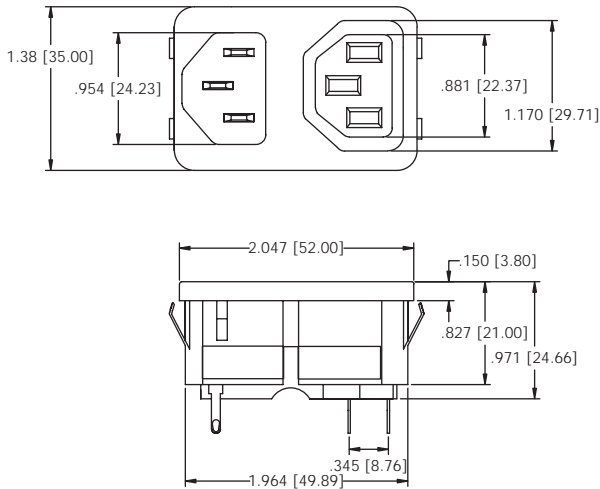
Unit: Inch / mm

Dimensional:

	F	W
12A	.287 (7.30)	.276 (7.00)
12B	.287 (7.30)	.358 (9.10)
12C	.382 (9.70)	.276 (7.00)
12D	.382 (9.70)	.358 (9.10)

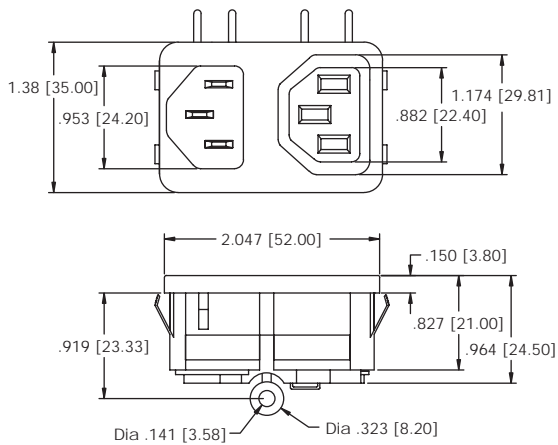


TYPE 13



Insulator: Nylon
Panel Thickness 0.8mm-2.5mm

TYPE 14



Insulator: Nylon
Panel Thickness 0.8mm-2.5mm